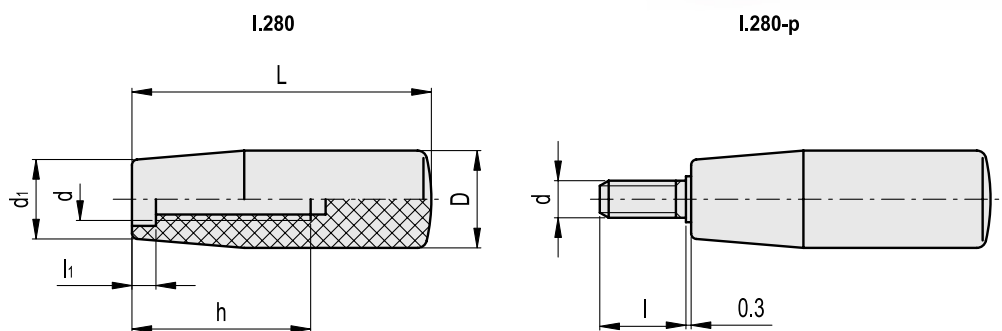


I.280

Handles



- **Material**
Phenolic based (PF) Duroplast. Resistant to solvents, oils, greases and other chemical agents.
- **Colour**
Black, glossy finish.
- **Standard executions**
 - **I.280**: threaded blind hole.
 - **I.280-p**: zinc-plated steel threaded stud, chamfered flat end UNI 947 : ISO 4753 (see Technical data).



I.280

Code	Description	D	L	d	d ₁	h	l ₁	⚖
21501	I.280/28-M5	14	28	M5	11	12	1.5	5
21601	I.280/40-M6	18	40	M6	15	25	3.5	12
21602	I.280/40-M8	18	40	M8	15	25	3.5	12
21701	I.280/50-M6	21	50	M6	17	25	3.5	21
21702	I.280/50-M8	21	50	M8	17	35	7.5	20
21801	I.280/65-M8	23	65	M8	19	30	7.5	33
21802	I.280/65-M10	23	65	M10	19	40	7.5	30
21803	I.280/65-M12	23	65	M12	19	40	7.5	28
21900	I.280/80-M8	26	80	M8	21	45	8	45
21901	I.280/80-M10	26	80	M10	21	55	7	47
21902	I.280/80-M12	26	80	M12	21	55	10	45
22000	I.280/90-M8	28	90	M8	22	55	7	62
22001	I.280/90-M10	28	90	M10	22	55	7	64
22002	I.280/90-M12	28	90	M12	22	58	8	62
22101	I.280/100-M12	31	102	M12	25	58	8	90
22102	I.280/100-M14	31	102	M14	25	65	5	85
22201	I.280/115-M12	29	116	M12	23	58	8	88

I.280-p

Code	Description	D	L	d _{6g}	d ₁	l	⚖
21611	I.280/40 p-M6x16	18	40	M6	15	16	18
21711	I.280/50 p-M8x16	21	50	M8	17	16	38
21712	I.280/50 p-M8x25	21	50	M8	17	25	40
21811	I.280/65 p-M10x16	23	65	M10	19	16	60
21812	I.280/65 p-M10x30	23	65	M10	19	30	67
21911	I.280/80 p-M10x16	26	80	M10	21	16	80
21912	I.280/80 p-M10x30	26	80	M10	21	30	87
22011	I.280/90 p-M12x16	28	90	M12	22	16	113
22012	I.280/90 p-M12x30	28	90	M12	22	30	122
22111	I.280/100 p-M12x16	31	102	M12	25	16	142
22112	I.280/100 p-M12x30	31	102	M12	25	30	150