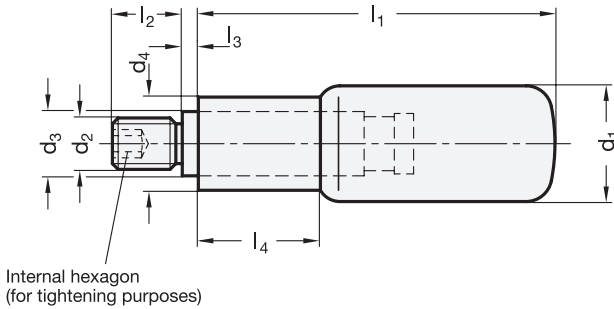




ROSTFREI
Inox
Stainless
Steel



1.1
1.2
1.3
1.4
1.5
1.6
1.7
1.8
1.9

2		3							
d ₁	KT	NI	d ₂	d ₃	d ₄	l ₁	l ₂	l ₃ ≈	l ₄
16	-	-	M 6	10	13	41,5	12	2,5	15
18	18	-	M 6	10	14,5	56	13	2,5	19
22	22	-	M 8	14	18,5	59	14	2,5	21
24	24	-	M 8	14	18,5	74	16	2,5	27
25	-	-	M 10	16	20	84	16	2,5	30

Specification

- Plastic
Technopolymer (Polyamide PA)
- temperature resistant up to 90 °C
- black, matt finish
- Stainless Steel
- AISI 303
- matt, shot-blasted
- Spindle
Stainless Steel AISI 303
- *Stainless Steel characteristics → Page 1144*
- *Plastic characteristics → Page 1141*
- **RoHS-compliant**



Information

Typical in design are the revolving handles GN 798.1 with their stepped shape consisting of two cylinders giving the operator a better grip.

How to order

GN 798.1-KT-16-M6

1	Material
2	d ₁
3	d ₂