

VCT.p SOFT

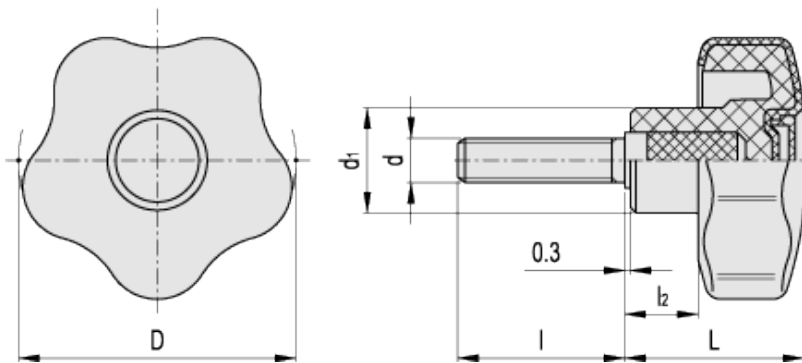
Lobe knobs



ELESA Original design



SOFT



technical informations

Material

High-resilience polypropylene based (PP) technopolymer, coated with thermoplastic elastomer (TPE) "soft-touch" chemically bonded, hardness 70 Shore A. Resistant to solvents, oils, greases and other chemical agents. The coating material is certified according to FDA (U.S. Food and Drug administration).

Colour

Black, matte finish.

Centre cap

Polypropylene based technopolymer (PP), in the six standard colours, matte finish. On request and for sufficient quantities, it can be supplied in other colours or with customised graphic symbols, marks or writings.

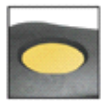
Standard execution

Zinc-plated steel threaded stud with chamfered flat end as in UNI 947 : ISO 4753 (see [Technical Data](#)).

Features and applications

The surface, coated with "soft-touch" elastomer, improves the grip even in the presence of oils, greases and sweat from the

hand. For this reason it is suitable for fitness machines, tools and machines for gardening and goods transport, high-precision instruments and disability aids.



* Complete with colour index, example: 169903-C2 VCT.43 p-M6x25-SOFT-C2.

C9
 C2
 C3
 C4
 C5
 C6
 RAL9005 RAL2004 RAL7035 RAL1021 RAL5024 RAL3000

Standard Elements		Main dimensions				Threaded stud		C #	Weight
Code	Description	D	L	d ₁	l ₂	d _{6g}	l	[Nm]	g
169903-*	VCT.43 p-M6x25-SOFT-*	43	29	17	11	M6	25	13	20
169905-*	VCT.43 p-M6x30-SOFT-*	43	29	17	11	M6	30	13	21
169911-*	VCT.43 p-M8x16-SOFT-*	43	29	17	11	M8	16	16	19
169912-*	VCT.43 p-M8x20-SOFT-*	43	29	17	11	M8	20	16	20
169913-*	VCT.43 p-M8x25-SOFT-*	43	29	17	11	M8	25	16	22
169971-*	VCT.53 p-M10x20-SOFT-*	53	34	19	13	M10	20	23	36
169973-*	VCT.53 p-M10x30-SOFT-*	53	34	19	13	M10	30	23	40
170021-*	VCT.66 p-M10x20-SOFT-*	66	38.5	21.5	15.5	M10	20	37	46
170083-*	VCT.77 p-M12x30-SOFT-*	77	46	26	21	M12	30	68	53

"Max limit Tightening torque" means the max torque value at which the metal insert, in normal conditions of use, is perfectly and strongly anchored to the plastic material.



ELESA and GANTER models all rights reserved in accordance with the law. Always mention the source when reproducing our drawings.

STANDARD MACHINE ELEMENTS WORLDWIDE