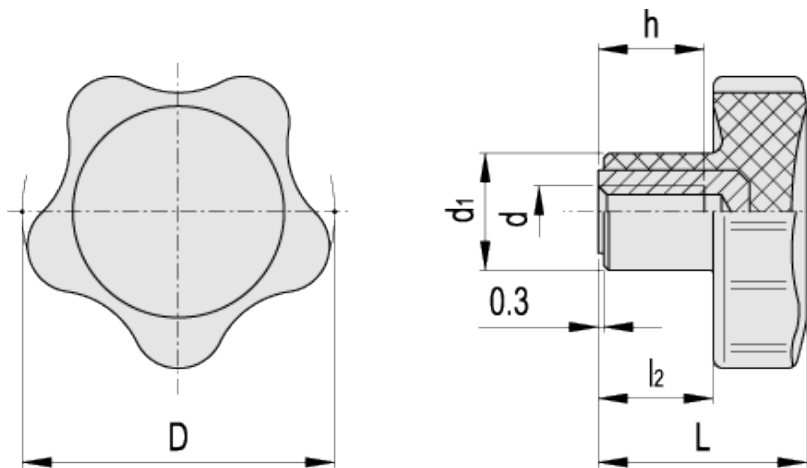


VC.692

Lobe knobs



ELESA Original design



technical informations

Material

Glass-fibre reinforced polyamide based (PA) technopolymer. Resistant to solvents, oils, greases and other chemical agents.

Colour

Black, matte finish.

Standard execution

Brass boss, threaded blind hole.

Features and applications

The exclusive five-lobe shape (ELESA original design) offers the operator's fingers a proper grip and prevents unhealthy residues from depositing thanks to its solid shape without cavities.

This knob is particularly suitable for applications on machines and equipment whose parts, for hygienic reasons, must be frequently cleaned also using water or steam jets.

Standard Elements		Main dimensions				Mounting hole		Weight
Code	Description	D	L	d ₁	l ₂	d _{6H}	h	g
166111	VC.692/25 B-M4	25	20	12	10	M4	10	7
166112	VC.692/25 B-M5	25	20	12	10	M5	10	7
166113	VC.692/25 B-M6	25	20	12	10	M6	10	7
166221	VC.692/32 B-M5	32	22.5	14	12.5	M5	10	15
166222	VC.692/32 B-M6	32	22.5	14	12.5	M6	10	14
166223	VC.692/32 B-M8	32	22.5	14	12.5	M8	10	13
166341	VC.692/40 B-M6	40	26	15	14	M6	12	25
166342	VC.692/40 B-M8	40	26	15	14	M8	13	23
166471	VC.692/50 B-M8	50	31	18	17	M8	15	44
166472	VC.692/50 B-M10	50	31	18	17	M10	17	40
166551	VC.692/60 B-M10	60	36.5	21	21	M10	20	63
166552	VC.692/60 B-M12	60	36.5	21	21	M12	20	54



ELESA and GANTER models all rights reserved in accordance with the law. Always mention the source when reproducing our drawings.

STANDARD MACHINE ELEMENTS WORLDWIDE