

Diamond cut knurled knobs



Material

High-resilience polypropylene based (PP) technopolymer. Resistant to solvents, oils, greases and other chemical agents.

Colour

Black, matte finish.

Coloured centre cap

Technopolymer, matt finish.

To order, add the index of the desired colour (C9, ..., C6) to the code and the description.

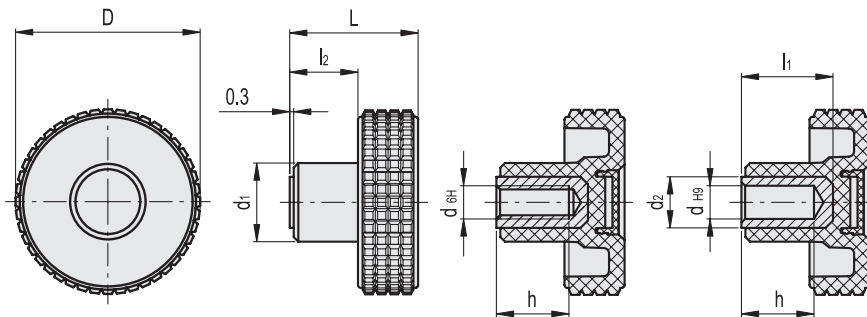
On request and for sufficient quantities, it can be supplied in other colours or with customised graphic symbols, marks or writings.

Standard executions

- **MBT-B:** brass boss, plain or threaded blind hole.
- **MBT-p:** zinc-plated steel threaded stud with chamfered flat end as in UNI 947 : ISO 4753 (see Technical data).

Ergonomy and design


The particular knurling on the outside rim of the knob, provided with a structure of very fine pitch, allows a safe and comfortable grip, offering the operator the possibility of operating under the most different working conditions in a sensitive and ergonomic way and simplifying the adjustment of the knob during rapid rotation (or screwing) without any unpleasant angular work for the hand and wrist.



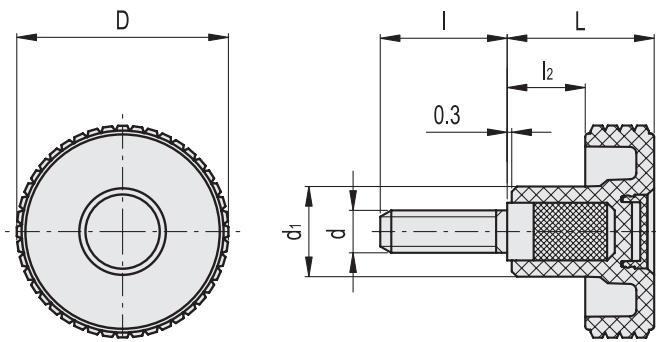
* Complete with colour index, example: 34201-C2 MBT.30 B-M5-C2

- | | | | | | |
|----------------------------------------------------------------------------------------|----------------------------------------------------------------------------------------|----------------------------------------------------------------------------------------|----------------------------------------------------------------------------------------|----------------------------------------------------------------------------------------|------------------------------------------------------------------------------------------|
|  C9 |  C2 |  C3 |  C4 |  C5 |  C6 |
| RAL9005 | RAL2004 | RAL7035 | RAL1021 | RAL5024 | RAL3000 |

MBT.

Code	Description	D	d _{6H}	d _{H9}	L	d ₁	d ₂	l ₁	l ₂	h	
34201-*	MBT.30 B-M5-*	31	M5	-	24	15	-	-	11.5	10	12
34206-*	MBT.30 B-M6-*	31	M6	-	24	15	-	-	11.5	12	17
34316-*	MBT.40 B-6-*	39.5	-	6	26.5	17	12	17	12.5	14	27
34321-*	MBT.40 B-M6-*	39.5	M6	-	26.5	17	-	-	12.5	12	22
34326-*	MBT.40 B-M8-*	39.5	M8	-	26.5	17	-	-	12.5	13	23
34411-*	MBT.50 B-6-*	50	-	6	33	20	15	23	16	18	48
34416-*	MBT.50 B-8-*	50	-	8	33	20	15	25	16	20	47
34421-*	MBT.50 B-M8-*	50	M8	-	33	20	-	-	16	20	32
34426-*	MBT.50 B-M10-*	50	M10	-	33	20	-	-	16	18	34
34506-*	MBT.60 B-10-*	61	-	10	39	23	16	30	18.5	25	67
34511-*	MBT.60 B-M10-*	61	M10	-	39	23	-	-	18.5	20	50
34516-*	MBT.60 B-M12-*	61	M12	-	39	23	-	-	18.5	20	58
34611-*	MBT.70 B-M12-*	70	M12	-	42	24	-	-	20.5	20	70
34616-*	MBT.70 B-M14-*	70	M14	-	42	24	-	-	20.5	20	78





* Complete with colour index, example: 34221-C2 MBT.30 p-M5x10-C2

C9
 C2
 C3
 C4
 C5
 C6
 RAL9005 RAL2004 RAL7035 RAL1021 RAL5024 RAL3000

MBT.p

Code	Description	D	d _{6g}	L	d ₁	l	l ₂	⚖
34221-*	MBT.30 p-M5x10-*	31	M5	24	15	10	11.5	13
34226-*	MBT.30 p-M5x20-*	31	M5	24	15	20	11.5	14
34241-*	MBT.30 p-M5x40-*	31	M5	24	15	40	11.5	16
34261-*	MBT.30 p-M6x10-*	31	M6	24	15	10	11.5	14
34263-*	MBT.30 p-M6x16-*	31	M6	24	15	16	11.5	14
34266-*	MBT.30 p-M6x20-*	31	M6	24	15	20	11.5	15
34269-*	MBT.30 p-M6x25-*	31	M6	24	15	25	11.5	16
34271-*	MBT.30 p-M6x30-*	31	M6	24	15	30	11.5	17
34281-*	MBT.30 p-M6x40-*	31	M6	24	15	40	11.5	19
34341-*	MBT.40 p-M6x10-*	39.5	M6	26.5	17	10	12.5	18
34343-*	MBT.40 p-M6x16-*	39.5	M6	26.5	17	16	12.5	19
34346-*	MBT.40 p-M6x20-*	39.5	M6	26.5	17	20	12.5	20
34351-*	MBT.40 p-M6x30-*	39.5	M6	26.5	17	30	12.5	22
34361-*	MBT.40 p-M6x40-*	39.5	M6	26.5	17	40	12.5	24
34381-*	MBT.40 p-M8x16-*	39.5	M8	26.5	17	16	12.5	26
34383-*	MBT.40 p-M8x20-*	39.5	M8	26.5	17	20	12.5	27
34386-*	MBT.40 p-M8x25-*	39.5	M8	26.5	17	25	12.5	28
34391-*	MBT.40 p-M8x30-*	39.5	M8	26.5	17	30	12.5	30
34393-*	MBT.40 p-M8x40-*	39.5	M8	26.5	17	40	12.5	33
34396-*	MBT.40 p-M8x50-*	39.5	M8	26.5	17	50	12.5	36
34431-*	MBT.50 p-M8x16-*	50	M8	33	20	16	16	36
34436-*	MBT.50 p-M8x30-*	50	M8	33	20	30	16	38
34441-*	MBT.50 p-M8x50-*	50	M8	33	20	50	16	44
34451-*	MBT.50 p-M10x20-*	50	M10	33	20	20	16	42
34456-*	MBT.50 p-M10x30-*	50	M10	33	20	30	16	47
34471-*	MBT.50 p-M10x50-*	50	M10	33	20	50	16	57
34521-*	MBT.60 p-M10x20-*	61	M10	39	23	20	18.5	58
34526-*	MBT.60 p-M10x30-*	61	M10	39	23	30	18.5	63
34536-*	MBT.60 p-M10x50-*	61	M10	39	23	50	18.5	73
34551-*	MBT.60 p-M12x20-*	61	M12	39	23	20	18.5	70
34556-*	MBT.60 p-M12x30-*	61	M12	39	23	30	18.5	78
34571-*	MBT.60 p-M12x50-*	61	M12	39	23	50	18.5	94
34631-*	MBT.70 p-M12x30-*	70	M12	42	24	30	20.5	90
34641-*	MBT.70 p-M12x50-*	70	M12	42	24	50	20.5	105

