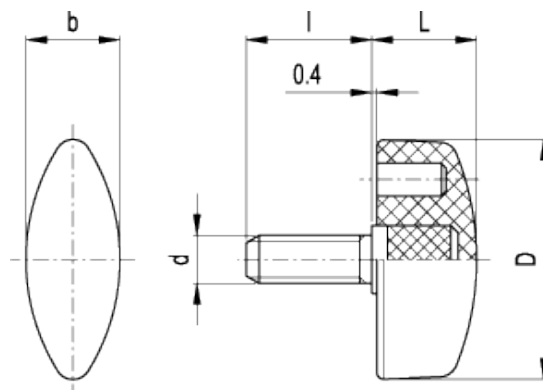


CT.476-SST-p

Wing knobs



ELESA Original design



technical informations

Material

Glass-fibre reinforced polyamide based (PA) technopolymer. Resistant to solvents, oils, greases and other chemical agents.

Colour

Black, matte finish.

Assembly

AISI 303 stainless steel threaded stud, chamfered flat end according to UNI 947 : ISO 4753 (see [Technical Data](#)).

Features and applications

These wing knobs allow high tightening torque values.

AISI 303 stainless steel, thanks to its high resistance to corrosion, allows the application of these wing knobs on machines and equipment in those sectors where laws or particular hygienic, climatic and environmental factors make it mandatory to use corrosion resistant materials.

Standard Elements

Main dimensions

Threaded stud

C #

Weight

Code	Description	D	L	b	d _{6g}	l	[Nm]	g
108261	CT.476/20-SST-p-M4x6	20	11	9.5	M4	6	6	4
108262	CT.476/20-SST-p-M4x10	20	11	9.5	M4	10	6	4
108311	CT.476/25-SST-p-M5x10	26	13	11	M5	10	8	6
108312	CT.476/25-SST-p-M5x16	26	13	11	M5	16	8	7
108313	CT.476/25-SST-p-M5x25	26	13	11	M5	25	8	8
108361	CT.476/30-SST-p-M6x10	32	15	13	M6	10	14	8
108362	CT.476/30-SST-p-M6x16	32	15	13	M6	16	14	10
108364	CT.476/30-SST-p-M6x20	32	15	13	M6	20	14	11
108366	CT.476/30-SST-p-M6x25	32	15	13	M6	25	14	12
108367	CT.476/30-SST-p-M6x30	32	15	13	M6	30	14	13
108372	CT.476/30-SST-p-M8x16	32	15	13	M8	16	16	13
108374	CT.476/30-SST-p-M8x20	32	15	13	M8	20	16	14
108375	CT.476/30-SST-p-M8x25	32	15	13	M8	25	16	16
108377	CT.476/30-SST-p-M8x30	32	15	13	M8	30	16	17
108378	CT.476/30-SST-p-M8x40	32	15	13	M8	40	16	20
108462	CT.476/40-SST-p-M8x16	40	17	15.5	M8	16	18	15
108464	CT.476/40-SST-p-M8x25	40	17	15.5	M8	25	18	16
108466	CT.476/40-SST-p-M8x40	40	17	15.5	M8	40	18	22
108521	CT.476/48-SST-p-M8x16	48	19	19	M8	16	20	18
108524	CT.476/48-SST-p-M8x25	48	19	19	M8	16	20	18
108572	CT.476/56-SST-p-M10x20	56	23	21	M10	20	40	35
108574	CT.476/56-SST-p-M10x30	56	23	21	M10	30	40	39

"Max limit Tightening torque" means the max torque value at which the metal insert, in normal conditions of use, is perfectly and strongly anchored to the plastic material.



ELESA and GANTER models all rights reserved in accordance with the law. Always mention the source when reproducing our drawings.

STANDARD MACHINE ELEMENTS WORLDWIDE