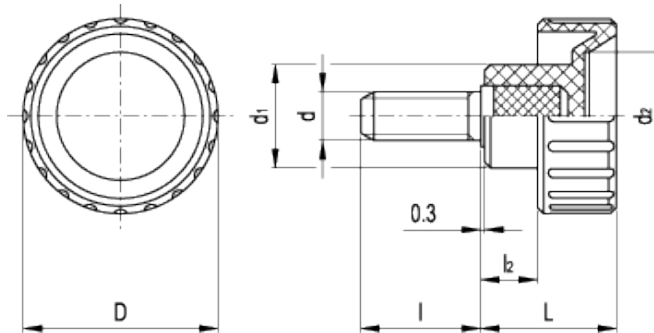


BT-SST-p

Fluted grip knobs



technical informations

Material

Polyamide based (PA) technopolymer. Resistant to solvents, oils, greases and other chemical agents.

Colour

Black, matte finish.

Assembly

AISI 303 stainless steel threaded stud, chamfered flat end according to UNI 947 : ISO 4753 (see [Technical Data](#)).

Features and applications

AISI 303 stainless steel, thanks to its high resistance to corrosion, allows the application of these knobs on machines and equipment in those sectors where laws or particular hygienic, climatic and environmental factors make it mandatory to use corrosion resistant materials.

Standard Elements		Main dimensions					Threaded stud		Weight
Code	Description	D	L	d ₁	d ₂	l ₂	d _{6g}	l	g
106541	BT.20-SST-p-M5x10	20	16	11.5	11	6	M5	10	7

106542	BT.20-SST-p-M5x16	20	16	11.5	11	6	M5	16	8
106642	BT.25-SST-p-M6x16	25	19	16	15	8	M6	16	10
106644	BT.25-SST-p-M6x20	25	19	16	15	8	M6	20	11
106647	BT.25-SST-p-M6x30	25	19	16	15	8	M6	30	13
106752	BT.32-SST-p-M8x16	32	22	17	21	9	M8	16	17
106754	BT.32-SST-p-M8x20	32	22	17	21	9	M8	20	19
106757	BT.32-SST-p-M8x30	32	22	17	21	9	M8	30	23



ELESA and GANTER models all rights reserved in accordance with the law. Always mention the source when reproducing our drawings.

STANDARD MACHINE ELEMENTS WORLDWIDE