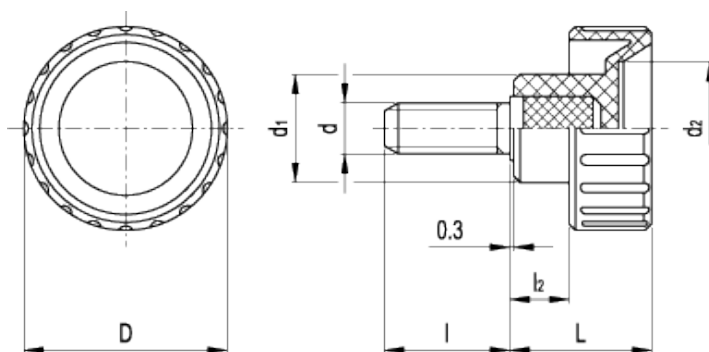


BT.p

Fluted grip knobs



ELESA Original design



technical informations

Material

Polyamide based (PA) technopolymer. Resistant to solvents, oils, greases and other chemical agents.

Colour

Black, matte finish.

Assembly

Zinc-plated steel threaded stud, chamfered flat end according to UNI 947 : ISO 4753 (see [Technical Data](#)).

Standard Elements		Main dimensions					Threaded stud		Weight
Code	Description	D	L	d ₁	d ₂	l ₂	d _{6g}	l	g
6351	BT.16 p-M4x10	16	13	11	9	5	M4	10	4
6356	BT.16 p-M4x16	16	13	11	9	5	M4	16	5
6371	BT.16 p-M5x10	16	13	11	9	5	M5	10	6
6376	BT.16 p-M5x16	16	13	11	9	5	M5	16	7
6541	BT.20 p-M5x10	20	16	11.5	11	6	M5	10	7

6546	BT.20 p-M5x16	20	16	11.5	11	6	M5	16	8
6551	BT.20 p-M5x25	20	16	11.5	11	6	M5	25	9
6571	BT.20 p-M6x10	20	16	11.5	11	6	M6	10	9
6576	BT.20 p-M6x16	20	16	11.5	11	6	M6	16	11
6581	BT.20 p-M6x25	20	16	11.5	11	6	M6	25	13
6591	BT.20 p-M6x40	20	16	11.5	11	6	M6	40	16
6641	BT.25 p-M6x16	25	19	16	15	8	M6	16	18
6643	BT.25 p-M6x20	25	19	16	15	8	M6	20	20
6646	BT.25 p-M6x25	25	19	16	15	8	M6	25	22
6649	BT.25 p-M6x50	25	19	16	15	8	M6	25	32
6661	BT.25 p-M8x16	25	19	16	15	8	M8	16	15
6666	BT.25 p-M8x25	25	19	16	15	8	M8	25	18
6753	BT.32 p-M8x16	32	22	17	21	9	M8	16	18
6754	BT.32 p-M8x20	32	22	17	21	9	M8	20	19
6755	BT.32 p-M8x25	32	22	17	21	9	M8	25	21
6756	BT.32 p-M8x30	32	22	17	21	9	M8	30	23
6758	BT.32 p-M8x40	32	22	17	21	9	M8	40	25
6763	BT.32 p-M10x20	32	22	17	21	9	M10	20	25
6765	BT.32 p-M10x30	32	22	17	21	9	M10	30	28
6768	BT.32 p-M10x40	32	22	17	21	9	M10	40	34
6833	BT.40 p-M10x30	40	27	19	25	13	M10	30	37
6883	BT.50 p-M10x30	50	28.5	22	31	13.5	M10	30	44



ELESA and GANTER models all rights reserved in accordance with the law. Always mention the source when reproducing our drawings.

STANDARD MACHINE ELEMENTS WORLDWIDE