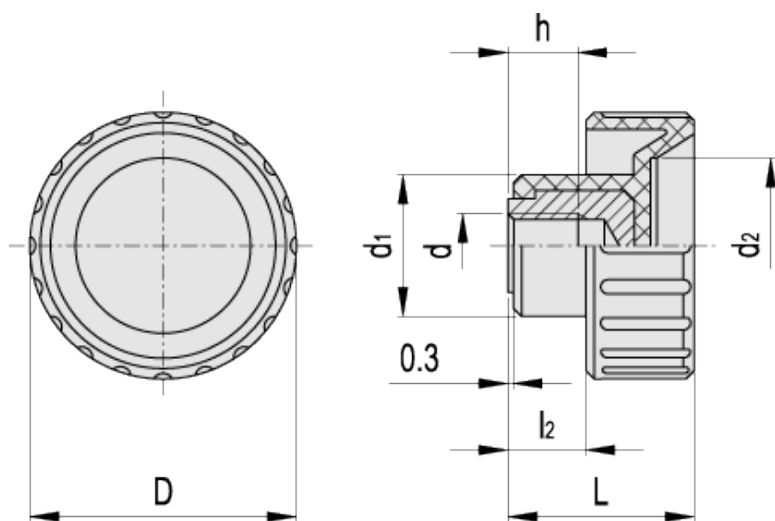


BT.

Fluted grip knobs



ELESA Original design



technical informations

Material

Polyamide based (PA) technopolymer. Resistant to solvents, oils, greases and other chemical agents.

Colour

Black, matte finish.

Standard execution

Brass boss, threaded blind hole.

Standard Elements		Main dimensions					Mounting hole		Weight
Code	Description	D	L	d ₁	d ₂	l ₂	d _{6H}	h	g
6320	BT.16 B-M3	16	13	11	9	5	M3	6	6

6321	BT.16 B-M4	16	13	11	9	5	M4	6	5
6322	BT.16 B-M5	16	13	11	9	5	M5	6	4
6521	BT.20 B-M5	20	16	11.5	11	6	M5	6	6
6522	BT.20 B-M6	20	16	11.5	11	6	M6	6	7
6611	BT.25 B-M5	25	19	16	15	8	M5	6	10
6621	BT.25 B-M6	25	19	16	15	8	M6	8	9
6721	BT.32 B-M8	32	22	17	21	9	M8	10	11
6811	BT.40 B-M8	40	27	19	25	13	M8	13	21
6813	BT.40 B-M10	40	27	19	25	13	M10	13	19
6863	BT.50 B-M10	50	28.5	22	31	13.5	M10	13	25



ELESA and GANTER models all rights reserved in accordance with the law. Always mention the source when reproducing our drawings.

STANDARD MACHINE ELEMENTS WORLDWIDE