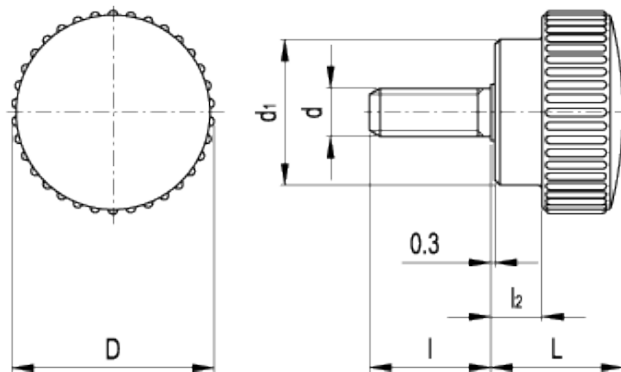


B.193-SST-p

Knurled grip knobs



ELESA Original design



technical informations

Material

Phenolic based (PF) Duroplast. Resistant to solvents, oils, greases and other chemical agents.

Colour

Black, glossy finish.

Assembly

AISI 303 stainless steel threaded stud, chamfered flat end according to UNI 947 : ISO 4753 (see [Technical Data](#)).

Features and applications

AISI 303 stainless steel, thanks to its high resistance to corrosion, allows the application of these knobs on machines and equipment in those sectors where laws or particular hygienic, climatic and environmental factors make it mandatory to use corrosion resistant materials.

Standard Elements		Main dimensions				Threaded stud		Weight
Code	Description	D	L	d ₁	l ₂	d _{6g}	l	g

102115	B.193/15-SST-p-M3x6	15	11	11	2	M3	6	2
102116	B.193/15-SST-p-M3x10	15	11	11	2	M3	10	3
102117	B.193/15-SST-p-M3x16	15	11	11	2	M3	16	4
102121	B.193/15-SST-p-M4x6	15	11	11	2	M4	6	3
102122	B.193/15-SST-p-M4x10	15	11	11	2	M4	10	4
102123	B.193/15-SST-p-M4x16	15	11	11	2	M4	16	5
102131	B.193/15-SST-p-M5x10	15	11	11	2	M5	10	4
102132	B.193/15-SST-p-M5x16	15	11	11	2	M5	16	5
102133	B.193/15-SST-p-M5x25	15	11	11	2	M5	25	8
102221	B.193/18-SST-p-M5x10	18	12	13	3	M5	10	6
102222	B.193/18-SST-p-M5x16	18	12	13	3	M5	16	7
102224	B.193/18-SST-p-M5x25	18	12	13	3	M5	25	9
102321	B.193/20-SST-p-M6x10	22	14	15	4	M6	10	9
102322	B.193/20-SST-p-M6x16	22	14	15	4	M6	16	10
102325	B.193/20-SST-p-M6x20	22	14	15	4	M6	20	12
102323	B.193/20-SST-p-M6x25	22	14	15	4	M6	25	14
102326	B.193/20-SST-p-M6x30	22	14	15	4	M6	30	16
102421	B.193/25-SST-p-M6x16	26	19	18	6	M6	16	14
102422	B.193/25-SST-p-M6x25	26	19	18	6	M6	25	16
102521	B.193/30-SST-p-M8x16	31	18	24	6	M8	16	20
102522	B.193/30-SST-p-M8x25	31	18	24	6	M8	25	24
102523	B.193/30-SST-p-M8x40	31	18	24	6	M8	40	30



ELESA and GANTER models all rights reserved in accordance with the law. Always mention the source when reproducing our drawings.

STANDARD MACHINE ELEMENTS WORLDWIDE