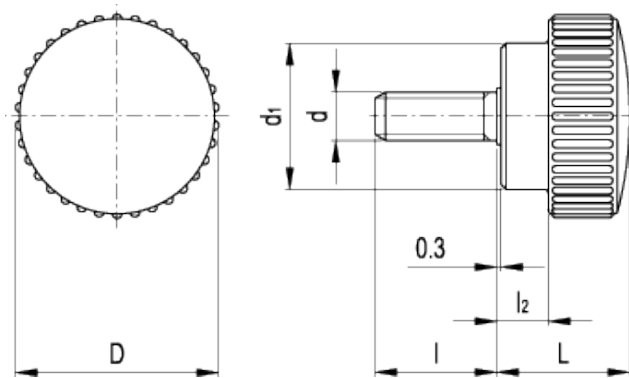


B.193 p

Knurled grip knobs



ELESA Original design



technical informations

Material

Phenolic based (PF) Duroplast. Resistant to solvents, oils, greases and other chemical agents.

Colour

Black, glossy finish.

Assembly

Zinc-plated steel threaded stud, chamfered flat end according to UNI 947 : ISO 4753 (see [Technical Data](#)).

Standard Elements		Main dimensions				Threaded stud		Weight
Code	Description	D	L	d ₁	l ₂	d _{6g}	l	g
2115	B.193/15 p-M3x6	15	11	11	2	M3	6	2
2116	B.193/15 p-M3x10	15	11	11	2	M3	10	3
2117	B.193/15 p-M3x16	15	11	11	2	M3	16	4
2121	B.193/15 p-M4x6	15	11	11	2	M4	6	3

2122	B.193/15 p-M4x10	15	11	11	2	M4	10	4
2123	B.193/15 p-M4x16	15	11	11	2	M4	16	5
2131	B.193/15 p-M5x10	15	11	11	2	M5	10	5
2132	B.193/15 p-M5x16	15	11	11	2	M5	16	6
2133	B.193/15 p-M5x25	15	11	11	2	M5	25	7
2221	B.193/18 p-M5x10	18	12	13	3	M5	10	6
2222	B.193/18 p-M5x16	18	12	13	3	M5	16	7
2224	B.193/18 p-M5x25	18	12	13	3	M5	25	9
2223	B.193/18 p-M5x40	18	12	13	3	M5	40	11
2321	B.193/20 p-M6x10	22	14	15	4	M6	10	9
2322	B.193/20 p-M6x16	22	14	15	4	M6	16	10
2325	B.193/20 p-M6x20	22	14	15	4	M6	20	11
2323	B.193/20 p-M6x25	22	14	15	4	M6	25	12
2326	B.193/20 p-M6x30	22	14	15	4	M6	30	14
2324	B.193/20 p-M6x40	22	14	15	4	M6	40	15
2421	B.193/25 p-M6x16	26	18	19	6	M6	16	14
2422	B.193/25 p-M6x25	26	18	19	6	M6	25	16
2431	B.193/25 p-M8x16	26	18	19	6	M8	16	20
2432	B.193/25 p-M8x25	26	18	19	6	M8	25	23
2521	B.193/30 p-M8x16	31	18	24	6	M8	16	25
2522	B.193/30 p-M8x25	31	18	24	6	M8	25	28
2523	B.193/30 p-M8x40	31	18	24	6	M8	40	32
2621	B.193/35 p-M8x25	36	23	27	8	M8	25	38
2622	B.193/35 p-M8x40	36	23	27	8	M8	40	42
2721	B.193/40 p-M10x30	40	26	29	10	M10	30	59
2821	B.193/50 p-M10x40	50	32	36	12	M10	40	94



ELESA and GANTER models all rights reserved in accordance with the law. Always mention the source when reproducing our drawings.

STANDARD MACHINE ELEMENTS WORLDWIDE