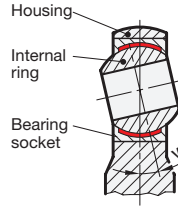
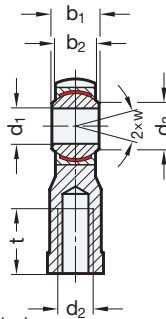
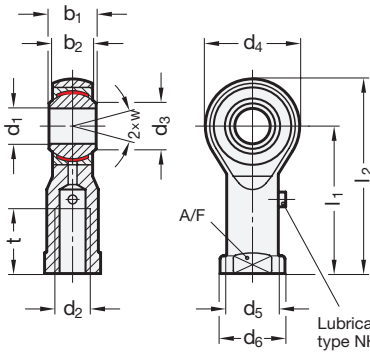


Type NH

Type WH
Type WK



ROSTFREI®
Inox
Stainless
Steel

3 Type (Pairings)

- NH** Bronze / Steel
lubrication possible
- WH** Bronze-PTFE / Steel
self lubricated
- WK** Stainless Steel-PTFE /
Stainless Steel
self lubricated

1

2

d ₁ H7	d ₂	Left hand thread	b ₁ -0,12	b ₂	d ₃	d ₄	d ₅	d ₆	l ₁	l ₂	sw	t	w Movement angle
5	M 5	M 5L	8	6	7,7	18	9	11	27	36	9	10	13°
6	M 6	M 6L	9	6,75	8,9	20	10	13	30	40	11	12	13°
8	M 8	M 8L	12	9	10,4	24	12,5	16	36	48	13	16	14°
10	M 10	M 10L	14	10,5	12,9	28	15	19	43	57	17	20	13°
12	M 12	M 12L	16	12	15,4	32	17,5	22	50	66	19	22	13°
14	M 14	M 14L	19	13,5	16,8	36	20	25	57	75	22	25	16°
16	M 16	M 16L	21	15	19,3	42	22	27	64	85	22	28	15°
18	M 18 x 1,5	M 18 x 1,5L	23	16,5	21,8	46	25	31	71	94	27	32	15°
20	M 20 x 1,5	M 20 x 1,5L	25	18	24,3	50	27,5	34	77	102	32	33	14°
22	M 22 x 1,5	M 22 x 1,5L	28	20	25,8	54	30	37	84	111	32	37	15°
25	M 24 x 2	M 24 x 2L	31	22	29,6	60	33,5	42	94	124	36	42	15°
30	M 30 x 2	M 30 x 2L	37	25	34,8	70	40	51	110	145	41	51	17°

Specification

- Housing Stainless Steel AISI 431 forged, polished
- Pairings
 - Type NH (lubrication possible)
Bearing socket Bronze CuSn8
Internal ring Steel 100Cr6 hardened, ground, polished, **hard chrome plated**
 - Type WH (self lubricated)
Bearing socket Bronze CuSn8 with PTFE-insert
Internal ring Steel 100Cr6 hardened, ground, polished, **hard chrome plated**
 - Type WK (self lubricated)
Bearing socket, Stainless Steel AISI 316Ti with PTFE-insert
Internal ring
Stainless Steel AISI 420 hardened, ground, polished

• RoHS compliant

Information

Stainless Steel-Ball joint heads GN 648.5 are similar to DIN ISO 12240-4, series K (formerly DIN 648 K).

see also...

- More information to ball joint heads as well as load capacity → Page 947
- Ball joint heads with female thread GN 648.1 (Steel, zinc plated) → Page 948

On request

- narrow model (ISO 12240-1, series E)

How to order

1	d ₁
2	d ₂
3	Type

GN648.5-10-M10L-WH