

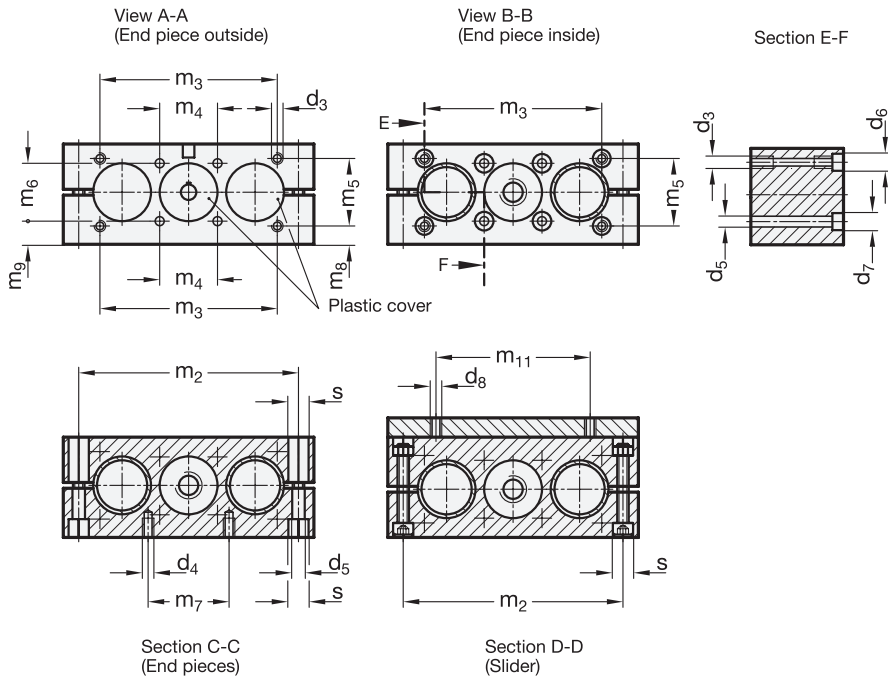
- 3 Type**
- R1** Right hand thread, single shaft end
 - R2*** Right hand thread, two shaft ends
 - L1*** Left hand thread, single shaft end
 - L2*** Left hand thread, two shaft ends

d₁	l₁ Travel (Adjustable stroke of the slider) Standard length					max. travel	Shaft thread	b	d₂	d₃**	d₄***	d₅	d₆	for screw DIN 912
18	100	150	200	300	400		TR10x3	28	6	-	M 5	5,3	-	-
30	100	150	200	300	1500		TR14x4	50	8	M 6	M 6	6,5	10	M 5
40	100	150	200	300	2500		TR20x4	60	12	M 8	M 8	8,5	13,5	M 6
50	100	150	200	300	2630		TR20x4	72	12	M 10	M 8	8,5	15	M 8
60	400	500	600		2580		TR25x4	80	14	M 10	M 10	10,5	13,5	M 8

d₁	d₇	for screw DIN 912	d₈	h₁	h₂	h₃	h₄	h₅	h₆	l₂ Total length	l₃	l₄	l₅	m₁	m₂	m₃	m₄
18	-	-	M 5	28	37	1	14,5	0,75	8	2xb+l ₅ +l ₁	81	16	80	b+l ₅ +l ₁	68	-	20
30	11	M 6	M 6	52	64	2	27	0,85	10	2xb+l ₅ +l ₁	130	16	130	b+l ₅ +l ₁	114	92	30
40	13,5	M 8	M 8	60	76	3	31,5	1,05	13	2xb+l ₅ +l ₁	180	17	180	b+l ₅ +l ₁	160	132	39
50	15	M 8	M 8	72	92	4	38	1,2	16	2xb+l ₅ +l ₁	206	18	206	b+l ₅ +l ₁	184	150	46
60	16,5	M 10	M 10	86	103	2	44	1,35	15	2xb+l ₅ +l ₁	240	19	240	b+l ₅ +l ₁	216	185	55

d₁	m₅	m₆	m₇	m₈	m₉	m₁₀	m₁₁	s Hexagon	Key DIN 6885	Position indicator	Handwheel	
18	-	20	18	-	4,5	68	52	8	A2x2x12	GN 955	-	GN 923.18
30	35	30	42	9,5	12	114	80	10	A2x2x12	GN 954	GN 9054	GN 923.30
40	38	39	62	12,5	12	160	120	13	A4x4x12	GN 953	GN 9053	GN 924.40
50	50	46	62	13	15	184	134	13	A4x4x12	GN 953	GN 9053	GN 924.50
60	60	55	74	14	16,5	216	160	17	A5x5x16	GN 953	GN 9053	GN 924.60

*** usable depth of thread min. 1,5 x d₄ ** usable depth of thread from both sides min. 2 x d₃ * normally not available from stock



Specification

- Guide tube DIN 2391
Steel, chrome-plated
- End pieces / Slider / Adapter plate
Aluminium
 - plastic coated
 - black, RAL 9005, textured finish
 - Fixing surface / mounting surface machined, blank
- Spindle with trapezoidal thread
 - Steel, blank
 - with ball-bearing
 - Positioning accuracy $\pm 0,2$ mm/300 mm travel
- Follower nut, gun metal
- Cylinder head screws DIN 912 / Hexagon nuts DIN 985
Steel, zinc plated
- RoHS compliant



SCR

Information

In addition to the standard travel lengths specified in the above table for the double tube linear actuator GN 492 any length inside the maximum length is available.

In order to measure the movement and positioning of the sliders, digital position indicators can be added.

see also...

- *Technical information / Load data* → Page 1042
- *Double tube linear actuators GN 491 (with single slider)* → Page 1040
- *Handwheels for linear actuators* → Page 1062
- *Position indicators GN 953 / GN 954* → Page 388 / 390
- *Position indicators GN 9053 / GN 9054* → New products

How to order

1	d ₁
2	l ₁
3	Type
4	Material

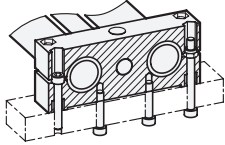
GN 492-30-100-R1-SCR

2.1
2.2
2.3
2.4
2.5
2.6
2.7
2.8
2.9

Mounting facilities of the end pieces

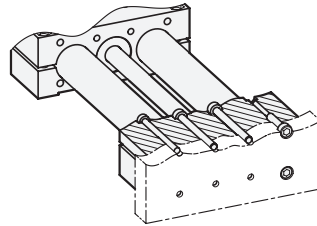
Horizontal

with screws for thread d_4 or bore d_5



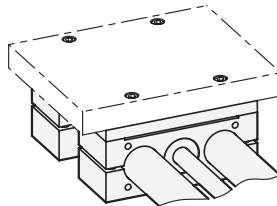
Vertical

From outside, with screws for thread d_3
 From inside, with screws for bore d_6
 From inside, with screws for bore d_5 / d_7



Mounting facilities at the slider

Mounting with screws
 for thread d_8



Assembly of position indicator and handwheel

Usage of installation kit with
 position indicator and handwheel see table

