

2 Type

- B Clamping arm with slotted hole (only size 220 and 440)
- F Clamping arm with bush

1

Size	F _H in N Holding force	a	b ₁	b ₂	b ₃	b ₄	d ₁	d ₂	d ₃	h ₁	h ₂
220	2200	32	36	13	6	6	M 6	6,5	6,5	152	45,5
440	4400	34	54	20	10	10	M 10	8,5	10,5	235	69,5
850*	8500	-	75	24	-	12	M 12	10,5	12,5	301	88
1540*	15400	-	90	32	-	16	M 16	12,5	16,5	344	106

Size	h ₃	h ₄ ≈	l ₁		l ₂	l ₃	m ₁	m ₂	m ₃	r ₁	r ₂	s
			Type B	Type F								
220	16	27	91	86	51	46	20	8	8	77	72	6
440	24	45	129,5	129,5	66	66	30	10	12	107	107	10
850*	30	-	-	161	-	72	55	10	10	-	133	12
1540*	35	-	-	203	-	92,5	65	17,5	12,5	-	167	16

* This size is fitted with a round handle at the lever arm and available only in type F.

Specification

- Clamping arm Steel
 - Precision casting
 - blackened
- Lever arm Steel
 - forged
 - blackened
- Parts in sheet metal
 - Case hardening steel
 - blackened
- Bearing pins and rivets, Steel
 - hardened and ground
- all moving parts
 - lubricated with special grease
- solid moulded plastic handle sleeve
 - red, oil resistant
- RoHS compliant

Accessory

- Clamping bolts → Page 765
- Holders for clamping bolts GN 801 (for type B) → Page 771

Information

Vertical clamps „Longlife“ GN 910.1 are an advance development of GN 810.1. The steel sheet design of the clamp and lever arms is replaced by precision or die-forged components. The remaining steel sheet parts have been reinforced, bearing bolts and bushings are toughened and ground.

These vertical clamps are therefore suitable for applications in which substantial forces occur and in which a long service life is required.

Extensive tests have shown that trouble-free function (under load) is ensured also after one million clamping cycles.

Stepped side washers are included.

see also...

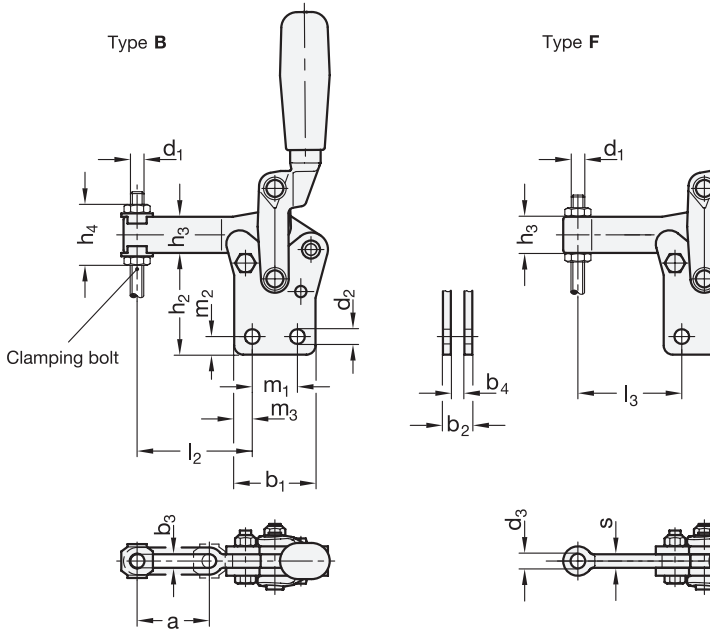
- General information to toggle clamps → Page 780
- Vertical clamps GN 810.1 → Page 786

How to order

GN910.1-440-F

1 Size

2 Type



2.1
2.2
2.3
2.4
2.5
2.6
2.7
2.8
2.9