

# GN 40

without fixing lug

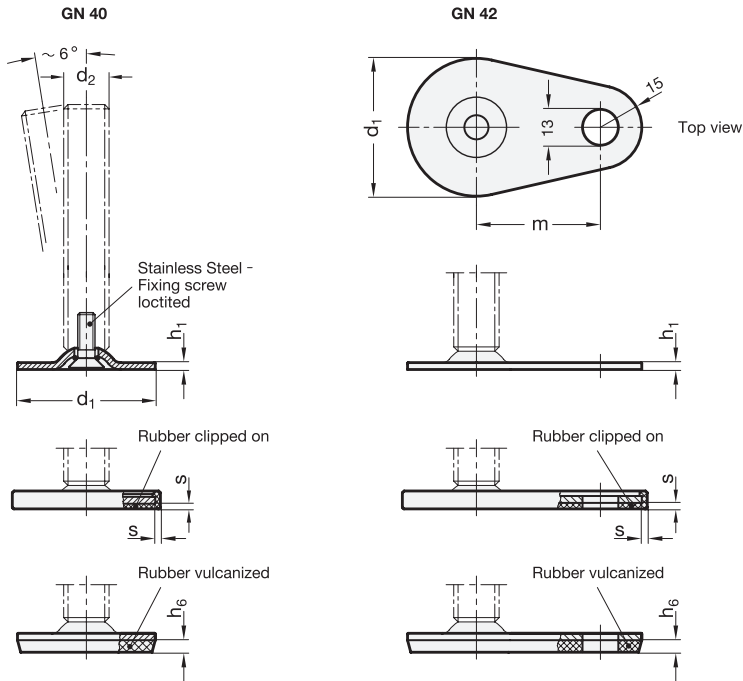
(Nume vechi: GN 440)

# GN 42

with fixing lug

(Nume vechi: GN 440.1)

# Levelling feet



#### 4 Type (Base plate)

- A0** Steel, zinc plated, without rubber underlay
- A1** Steel, zinc plated, rubber clipped on, black
- D3** Stainless Steel, blank, rubber vulcanised, black

1		2		3		3						l <sub>7</sub>	h <sub>1</sub>	h <sub>6</sub>	m	s
d <sub>1</sub>	GN 40	d <sub>2</sub>	GN 42	Version S / SK		Version U / UK						Version X				
40	-	M 8	40	50	63	-	-	-	-	-	-	25	2	3,5	-	1,5
40	-	M 10	50	60	80	100	-	-	-	-	-	28	2	3,5	-	1,5
40	-	M 12	60	80	100	125	-	-	-	-	-	31	2	3,5	-	1,5
40	-	M 16	-	-	-	-	75	100	125	150	200	37	2	3,5	-	1,5
50	50	M 8	40	50	63	-	-	-	-	-	-	25	2,5	4	45	2
50	50	M 10	50	60	80	100	-	-	-	-	-	28	2,5	4	45	2
50	50	M 12	60	80	100	125	-	-	-	-	-	32	2,5	4	45	2
50	50	M 16	-	-	-	-	75	100	125	150	200	37	2,5	4	45	2
60	60	M 8	40	50	63	-	-	-	-	-	-	25	2,5	4,5	50	2
60	60	M 10	50	60	80	100	-	-	-	-	-	28	2,5	4,5	50	2
60	60	M 12	60	80	100	125	-	-	-	-	-	32	2,5	4,5	50	2
60	60	M 16	-	-	-	-	75	100	125	150	200	37	2,5	4,5	50	2
80	80	M 8	40	50	63	-	-	-	-	-	-	26	3	5	70	2
80	80	M 10	50	60	80	100	-	-	-	-	-	29	3	5	70	2
80	80	M 12	60	80	100	125	-	-	-	-	-	32	3	5	70	2
80	80	M 16	-	-	-	-	75	100	125	150	200	38	3	5	70	2
80	80	M 20	-	-	-	-	75	100	125	150	200	45	3	5	70	2
80	80	M 24	-	-	-	-	100	125	150	200	-	-	3	5	70	2

### Specification

- Base plate
  - Type A0 / A1: Steel, zinc plated
  - Type D3: Stainless Steel AISI 303
- Threaded stem
  - Steel, zinc plated, blue passivated
- Hexagon nut ISO 4032
  - Steel, zinc plated, blue passivated
- Rubber cap, clipped on
  - black, Santoprene® (TPE)
  - 80 ≈ Shore A
- Rubber underlay, vulcanised
  - black, Perbunan® (NBR)
  - 70 ± Shore A
- RoHS compliant

**Versions of threaded stem**

<p><b>S</b> without nut <b>SK</b> with nut</p>	<p><b>U</b> without nut <b>UK</b> with nut</p>	<p><b>X</b> with female thread</p>
<p>External hexagon at the bottom M 8, M 10, M 12</p>	<p>Hexagon socket at the top Wrench flat at the bottom M 16, M 20, M 24</p>	<p>External hexagon Female thread M 8, M 10, M 12, M 16, M 20</p>

d <sub>1</sub>		d <sub>2</sub>	h <sub>3</sub>	h <sub>4</sub>	A/F <sub>1</sub>	A/F <sub>2</sub>	A/F <sub>3</sub>	A/F <sub>7</sub>	t
GN 40	GN 42								
40	-	M 8	10,5	-	17	-	-	14	8
40	-	M 10	10,5	-	17	-	-	14	10
40	-	M 12	10,5	-	17	-	-	17	12
40	-	M 16	-	16,5	-	12	8	22	16
50	50	M 8	11	-	17	-	-	14	8
50	50	M 10	11	-	17	-	-	14	10
50	50	M 12	11	-	17	-	-	17	12
50	50	M 16	-	17	-	12	8	22	16
60	60	M 8	11	-	17	-	-	14	8
60	60	M 10	11	-	17	-	-	14	10
60	60	M 12	11	-	17	-	-	17	12
60	60	M 16	-	17	-	12	8	22	16
80	80	M 8	11	-	17	-	-	14	8
80	80	M 10	11	-	17	-	-	14	10
80	80	M 12	11	-	17	-	-	17	12
80	80	M 16	-	17	-	12	8	22	16
80	80	M 20	-	18	-	15	10	27	20
80	80	M 24	-	20	-	19	12	-	-

**Information**

Levelling feet GN 40 / GN 42 are easy and very reasonably priced foot design variants.

They will be delivered mounted and are not removable.

- *Stainless Steel characteristics* → Main catalogue page 1144
- *Elastomer characteristics* → Main catalogue page 1140
- *Load rating information* → Page 21

see also...

- *Levelling feet GN 30* → Page 6
- *Stainless Steel-Levelling feet GN 41 (without fixing lug)* → Page 16
- *Stainless Steel-Levelling feet GN 43 (with fixing lug)* → Page 16

Levelling foot without fixing lug		1	d <sub>1</sub>
		2	d <sub>2</sub>
		3	l <sub>1</sub> (l <sub>7</sub> )
<p><b>GN 40-80-M12-100-A1-SK</b></p>		4	Type (Base plate)
		5	Version (Stem)

Levelling foot with fixing lug		1	d <sub>1</sub>
		2	d <sub>2</sub>
		3	l <sub>7</sub> (l <sub>1</sub> )
<p><b>GN 42-50-M12-32-D3-X</b></p>		4	Type (Base plate)
		5	Version (Stem)