

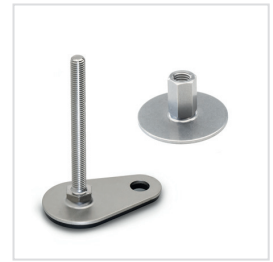
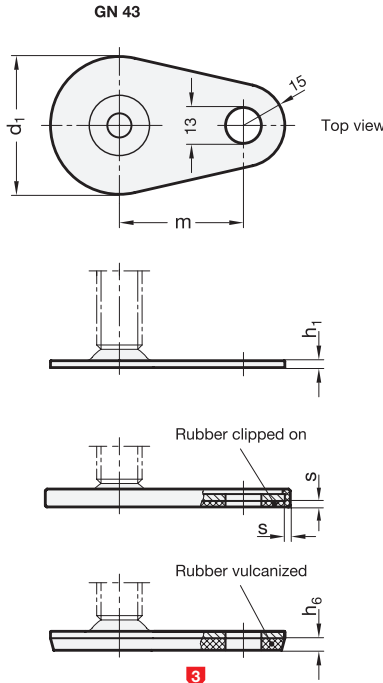
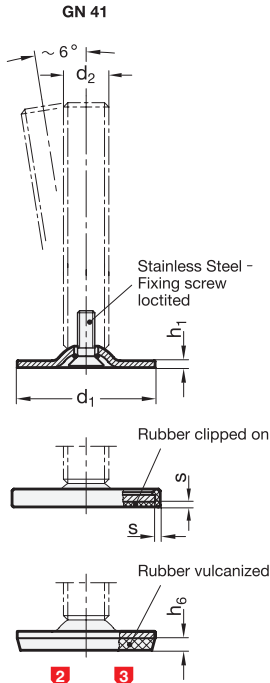
GN 41

without fixing lug
(Num vechi: GN 440.5)

GN 43

with fixing lug
(Num vechi: GN 440.6)

Stainless Steel-Levelling feet



Rostfrei
Inox
Stainless
Steel

4 Type (Base plate)

- D0 blank, ground without rubber underlay
- D1 blank, ground rubber, clipped on black
- D3 blank, ground rubber vulcanised black

d ₁		d ₂		l ₁				l ₂					l ₃				l ₇	A/F ₇	t				
GN 41	GN 43	M	8	40	50	63	-	-	-	-	-	-	-	-	-	-	-	-	25	14	8		
		M	10	50	60	80	100	-	-	-	-	-	-	-	-	-	-	-	28	14	10		
		M	12	60	80	100	125	-	-	-	-	-	-	-	-	-	-	-	31	17	12		
		M	16	-	-	-	-	75	100	125	150	200	-	-	-	-	-	-	37	22	16		
50	50	M	8	40	50	63	-	-	-	-	-	-	-	-	-	-	-	-	25	14	8		
50	50	M	10	50	60	80	100	-	-	-	-	-	-	-	-	-	-	-	28	14	10		
50	50	M	12	60	80	100	125	-	-	-	-	-	-	-	-	-	-	-	32	17	12		
50	50	M	16	-	-	-	-	75	100	125	150	200	-	-	-	-	-	-	37	22	16		
60	60	M	8	40	50	63	-	-	-	-	-	-	-	-	-	-	-	-	25	14	8		
60	60	M	10	50	60	80	100	-	-	-	-	-	-	-	-	-	-	-	28	14	10		
60	60	M	12	60	80	100	125	-	-	-	-	-	-	-	-	-	-	-	32	17	12		
60	60	M	16	-	-	-	-	75	100	125	150	200	75	100	125	150	110	135	160	185	37	22	16
80	80	M	8	40	50	63	-	-	-	-	-	-	-	-	-	-	-	-	26	14	8		
80	80	M	10	50	60	80	100	-	-	-	-	-	-	-	-	-	-	-	29	14	10		
80	80	M	12	60	80	100	125	-	-	-	-	-	-	-	-	-	-	-	32	17	12		
80	80	M	16	-	-	-	-	75	100	125	150	200	75	100	125	150	110	135	160	185	38	22	16
80	80	M	20	-	-	-	-	75	100	125	150	200	100	125	150	200	134	159	184	234	45	27	20
80	80	M	24	-	-	-	-	100	125	150	200	-	100	150	200	-	159	209	259	-	-	-	-

Specification

- Base plate
Stainless Steel AISI 304
- Threaded stem
Stainless Steel AISI 303
- Hexagon nut ISO 4032
Stainless Steel AISI 304
- Rubber cap, clipped on black, Santoprene® (TPE) 80 ≈ Shore A
- Rubber underlay, vulcanised black, Perbunan® (NBR) 70 ± Shore A
- RoHS compliant

Versions of threaded stem

<p>S without nut SK with nut</p>	<p>T without nut TK with nut</p>	<p>U without nut UK with nut</p>
<p>External hexagon at the bottom M 8, M 10, M 12</p>	<p>Wrench flat at the bottom M 16, M 20, M 24 „not dipping“ version</p>	<p>Hexagon socket at the top Wrench flat at the bottom M 16, M 20, M 24</p>
<p>V without nut VK with nut</p>	<p>W with adjustable sleeve</p>	<p>X with female thread</p>
<p>External hexagon at the top Wrench flat at the bottom M 16, M 20, M 24</p>	<p>Wrench flat at the bottom M 16, M 20, M 24</p>	<p>External hexagon Female thread M 8, M 10, M 12, M 16, M 20</p>

d ₁		d ₂			d ₃	h ₁	h ₃	h ₄	h ₅	h ₆	l ₄	l ₅	l ₆	m	s	A/F ₁	A/F ₂	A/F ₃	A/F ₄	A/F ₅	A/F ₆
GN 41	GN 43	M 8	M 10	M 12	-	2	11	-	-	3,5	-	-	-	-	1,5	17	-	-	-	-	-
40	-	M 16	-	-	-	2	-	17	14	3,5	45	45	29	-	1,5	-	12	8	-	-	-
50	50	M 8	M 10	M 12	-	2,5	11	-	-	4	-	-	-	45	2	17	-	-	-	-	-
50	50	M 16	-	-	-	2,5	-	17	14	4	-	-	-	45	2	-	12	8	-	-	-
60	60	M 8	M 10	M 12	-	2,5	11	-	-	4,5	-	-	-	50	2	17	-	-	-	-	-
60	60	M 16	-	-	24	2,5	-	17	14	4,5	45	45	29	50	2	-	12	8	10	12	20
80	80	M 8	M 10	M 12	-	3	12	-	-	5	-	-	-	70	2	17	-	-	-	-	-
80	80	M 16	-	-	24	3	-	18	15	5	45	45	29	70	2	-	12	8	10	12	20
80	80	M 20	-	-	30	3	-	18	15	5	56	56	37	70	2	-	15	10	13	16	24
80	80	M 24	-	-	35	3	-	21	18	5	67	67	42	70	2	-	19	12	17	20	30

Information

Stainless Steel-Levelling feet GN 41 / GN 43 are easy and very reasonably priced foot design variants.

The will be delivered mounted and are not removable.

- *Stainless Steel characteristics*
→ Main catalogue page 1144
- *Elastomer characteristics*
→ Main catalogue page 1140
- *Load rating information* → Page 22

<p>GN 41-80-M16-75-D0-TK</p>	1	d ₁
	2	d ₂
	3	l ₁ (l ₂ , l ₃ , l ₇)
	4	Type (Base plate)
	5	Version (Stem)

<p>GN 43-50-M12-32-D3-X</p>	1	d ₁
	2	d ₂
	3	l ₁
	4	Type (Base plate)
	5	Version (Stem)