

# GN 33 Stainless Steel-Levelling feet

with fixing lug

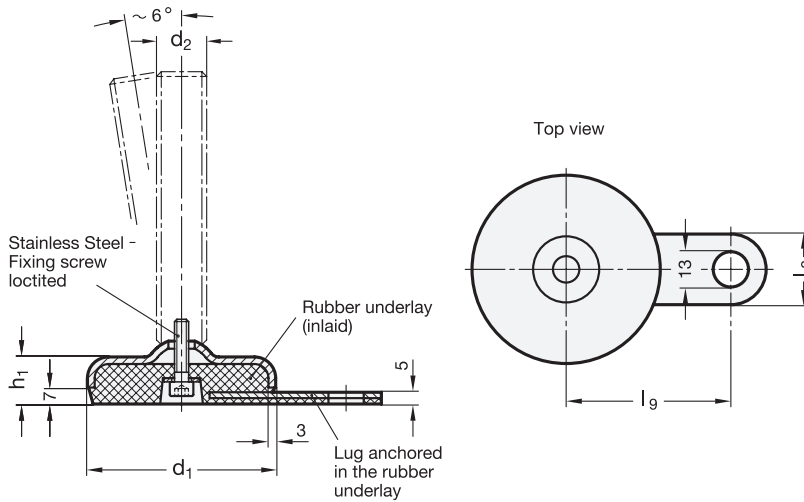
(Nume vechi: GN 340.6)



EDELSTAHL®  
Rostfrei  
Inox  
Stainless  
Steel

#### 4 Type (Base plate)

B1 matt shot-blasted, rubber, inlaid black

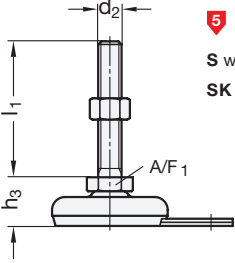
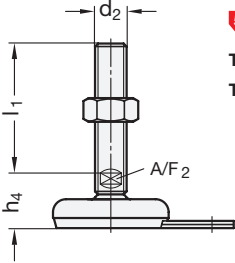
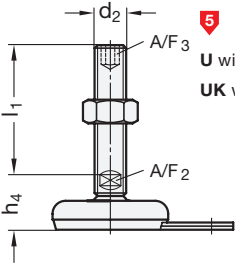
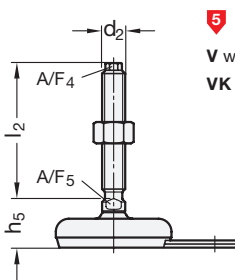
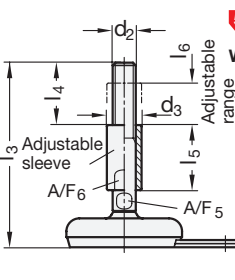
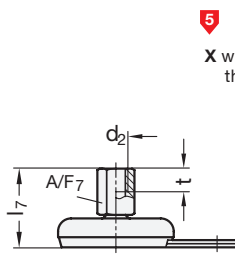


d <sub>1</sub>	d <sub>2</sub>	1 2 3								3								3			
		Version S / SK				Version T / TK und U / UK				Version V / VK				Version W				l <sub>7</sub>	A/F <sub>7</sub>	t	
50	M 8	40	50	63	-	-	-	-	-	-	-	-	-	-	-	-	-	-	40	14	8
50	M 10	50	60	80	100	-	-	-	-	-	-	-	-	-	-	-	-	-	43	14	10
50	M 12	60	80	100	125	-	-	-	-	-	-	-	-	-	-	-	-	-	47	17	12
50	M 16	-	-	-	-	75	100	125	150	200	-	-	-	-	-	-	-	-	52	22	16
60	M 8	40	50	63	-	-	-	-	-	-	-	-	-	-	-	-	-	-	41	14	8
60	M 10	50	60	80	100	-	-	-	-	-	-	-	-	-	-	-	-	-	44	14	10
60	M 12	60	80	100	125	-	-	-	-	-	-	-	-	-	-	-	-	-	48	17	12
60	M 16	-	-	-	-	75	100	125	150	200	75	100	125	150	126	151	176	201	53	22	16
80	M 8	40	50	63	-	-	-	-	-	-	-	-	-	-	-	-	-	-	42	14	8
80	M 10	50	60	80	100	-	-	-	-	-	-	-	-	-	-	-	-	-	45	14	10
80	M 12	60	80	100	125	-	-	-	-	-	-	-	-	-	-	-	-	-	49	17	12
80	M 16	-	-	-	-	75	100	125	150	200	75	100	125	150	127	152	177	202	54	22	16
80	M 20	-	-	-	-	75	100	125	150	200	100	125	150	200	151	176	201	251	62	27	20
80	M 24	-	-	-	-	100	125	150	200	-	100	150	200	-	176	226	276	-	-	-	-
100	M 8	40	50	63	-	-	-	-	-	-	-	-	-	-	-	-	-	-	43	14	8
100	M 10	50	60	80	100	-	-	-	-	-	-	-	-	-	-	-	-	-	46	14	10
100	M 12	60	80	100	125	-	-	-	-	-	-	-	-	-	-	-	-	-	50	17	12
100	M 16	-	-	-	-	75	100	125	150	200	75	100	125	150	128	153	178	203	55	22	16
100	M 20	-	-	-	-	75	100	125	150	200	100	125	150	200	152	177	202	252	63	27	20
100	M 24	-	-	-	-	100	125	150	200	-	100	150	200	-	177	227	277	-	-	-	-

## Specification

- Base plate / lug, sheet metal  
Stainless Steel AISI 304
- Threaded stem  
Stainless Steel AISI 303
- Hexagon nut ISO 4032  
Stainless Steel, AISI 304
- Rubber underlay, inlaid black, Perbunan® (NBR)  
80±5 Shore A
- Stainless Steel characteristics  
→ Main catalogue page 1144
- Elastomer characteristics  
→ Main catalogue page 1140
- RoHS compliant

**Versions of threaded stem**

 <p><b>S</b> without nut <b>SK</b> with nut</p>	 <p><b>T</b> without nut <b>TK</b> with nut</p>	 <p><b>U</b> without nut <b>UK</b> with nut</p>
<p>External hexagon at the bottom M 8, M 10, M 12</p>	<p>Wrench flat at the bottom M 16, M 20, M 24, M 30 „not dipping“ version</p>	<p>Hexagon socket at the top Wrench flat at the bottom M 16, M 20, M 24</p>
 <p><b>V</b> without nut <b>VK</b> with Nut</p>	 <p><b>W</b> with adjustable sleeve</p>	 <p><b>X</b> with female thread</p>
<p>External hexagon at the top Wrench flat at the bottom M 16, M 20, M 24</p>	<p>Wrench flat at the bottom M 16, M 20, M 24</p>	<p>External hexagon Female thread M 8, M 10, M 12, M 16, M 20</p>

d <sub>1</sub>	d <sub>2</sub>		d <sub>3</sub>	d <sub>4</sub>	h <sub>1</sub>	h <sub>3</sub>	h <sub>4</sub>	h <sub>5</sub>	l <sub>4</sub>	l <sub>5</sub>	l <sub>6</sub>	l <sub>8</sub>	l <sub>9</sub>	A/F <sub>1</sub>	A/F <sub>2</sub>	A/F <sub>3</sub>	A/F <sub>4</sub>	A/F <sub>5</sub>	A/F <sub>6</sub>	
50	M 8	M 10	M 12	-	13	18	26	-	-	-	-	25	45	17	-	-	-	-	-	
50	M 16	-	-	-	13	18	-	32	-	-	-	25	45	-	12	8	-	-	-	
60	M 8	M 10	M 12	-	13	19	27	-	-	-	-	25	50	17	-	-	-	-	-	
60	M 16	-	-	24	13	19	-	33	30	45	45	29	25	50	-	12	8	10	12	20
80	M 8	M 10	M 12	-	13	20	28	-	-	-	-	30	70	17	-	-	-	-	-	
80	M 16	-	-	24	13	20	-	34	31	45	45	29	30	70	-	12	8	10	12	20
80	M 20	-	-	30	13	20	-	35	32	56	56	36	30	70	-	15	10	13	16	24
80	M 24	-	-	35	13	20	-	38	35	67	67	42	30	70	-	19	12	17	20	30
100	M 8	M 10	M 12	-	13	21	29	-	-	-	-	30	80	17	-	-	-	-	-	
100	M 16	-	-	24	13	21	-	35	32	45	45	29	30	80	-	12	8	10	12	20
100	M 20	-	-	30	13	21	-	36	33	56	56	36	30	80	-	15	10	13	16	24
100	M 24	-	-	35	13	21	-	39	36	67	67	42	30	80	-	19	12	17	20	30

**Information**

Stainless Steel-Levelling feet GN 33 will be delivered mounted and are not removable.

Load rating information → Page 20

see also...

- Levelling feet GN 32 (Steel, zinc plated) → Page 10
- Stainless Steel-Levelling feet GN 31 (without fixing lug) → Page 8

**How to order**

1	d <sub>1</sub>
2	d <sub>2</sub>
3	l <sub>1</sub> (l <sub>2</sub> , l <sub>3</sub> , l <sub>7</sub> )
4	Type (Base plate)
5	Version (Stem)

GN33-60-M16-100-B1-V