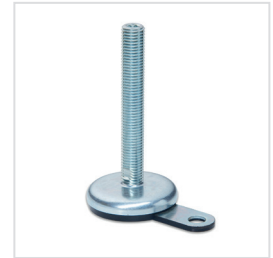
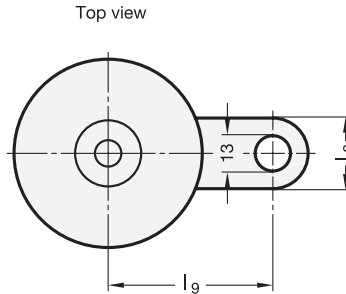
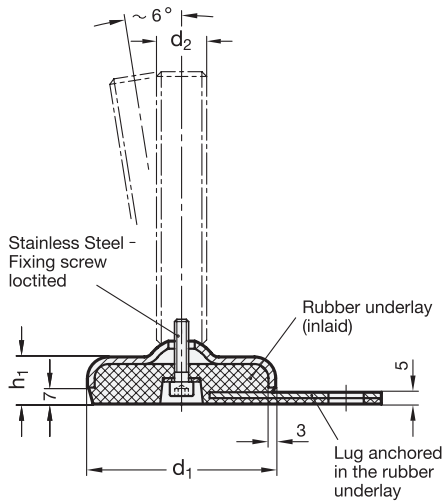


GN 32 Levelling feet

with fixing lug



(Nume vechi: GN 340.1)



4 Type (Base plate)

A1 Steel, zinc plated
Rubber, inlaid, black

| 1 | | 2 | | 3 | | 3 | | | | | | | | | | |
|----------------|----------------|----------------|----|-----|-----|-----|----------------|-----|-----|-----|----|----------------|----------------|----------------|----------------|----------------|
| d ₁ | d ₂ | l ₁ | | | | | Version U / UK | | | | | l ₇ | h ₁ | d ₄ | l ₈ | l ₉ |
| | | Version S / SK | | | | | | | | | | Version X | | | | |
| 50 | M 8 | 40 | 50 | 63 | - | - | - | - | - | - | 40 | 18 | 13 | 25 | 45 | |
| 50 | M 10 | 50 | 60 | 80 | 100 | - | - | - | - | - | 43 | 18 | 13 | 25 | 45 | |
| 50 | M 12 | 60 | 80 | 100 | 125 | - | - | - | - | - | 47 | 18 | 13 | 25 | 45 | |
| 50 | M 16 | - | - | - | - | 75 | 100 | 125 | 150 | 200 | 52 | 18 | 13 | 25 | 45 | |
| 60 | M 8 | 40 | 50 | 63 | - | - | - | - | - | - | 41 | 19 | 13 | 25 | 50 | |
| 60 | M 10 | 50 | 60 | 80 | 100 | - | - | - | - | - | 44 | 19 | 13 | 25 | 50 | |
| 60 | M 12 | 60 | 80 | 100 | 125 | - | - | - | - | - | 48 | 19 | 13 | 25 | 50 | |
| 60 | M 16 | - | - | - | - | 75 | 100 | 125 | 150 | 200 | 53 | 19 | 13 | 25 | 50 | |
| 80 | M 8 | 40 | 50 | 63 | - | - | - | - | - | - | 42 | 20 | 13 | 30 | 70 | |
| 80 | M 10 | 50 | 60 | 80 | 100 | - | - | - | - | - | 45 | 20 | 13 | 30 | 70 | |
| 80 | M 12 | 60 | 80 | 100 | 125 | - | - | - | - | - | 49 | 20 | 13 | 30 | 70 | |
| 80 | M 16 | - | - | - | - | 75 | 100 | 125 | 150 | 200 | 54 | 20 | 13 | 30 | 70 | |
| 80 | M 20 | - | - | - | - | 75 | 100 | 125 | 150 | 200 | 62 | 20 | 13 | 30 | 70 | |
| 80 | M 24 | - | - | - | - | 100 | 125 | 150 | 200 | - | - | 20 | 13 | 30 | 70 | |
| 100 | M 8 | 40 | 50 | 63 | - | - | - | - | - | - | 43 | 21 | 13 | 30 | 80 | |
| 100 | M 10 | 50 | 60 | 80 | 100 | - | - | - | - | - | 46 | 21 | 13 | 30 | 80 | |
| 100 | M 12 | 60 | 80 | 100 | 125 | - | - | - | - | - | 50 | 21 | 13 | 30 | 80 | |
| 100 | M 16 | - | - | - | - | 75 | 100 | 125 | 150 | 200 | 55 | 21 | 13 | 30 | 80 | |
| 100 | M 20 | - | - | - | - | 75 | 100 | 125 | 150 | 200 | 63 | 21 | 13 | 30 | 80 | |
| 100 | M 24 | - | - | - | - | 100 | 125 | 150 | 200 | - | - | 21 | 13 | 30 | 80 | |

Specification

- Base plate / lug, sheet metal
Steel, zinc plated, blue passivated
- Threaded stem
Steel, zinc plated, blue passivated
- Hexagon nut ISO 4032
Steel, zinc plated, blue passivated
- Rubber underlay, inlaid black, Perbunan® (NBR) 80±5 Shore A
- Elastomer characteristics
→ Main catalogue page 1140
- Load rating information → Page 19
- RoHS compliant

Versions of threaded stem

| | | |
|---|---|---|
| <p>S without nut SK with nut</p> | <p>U without nut UK with nut</p> | <p>X with female thread</p> |
| <p>External hexagon at the bottom M 8, M 10, M 12</p> | <p>Hexagon socket at the top Wrench flat at the bottom M 16, M 20, M 24</p> | <p>External hexagon Female thread M 8, M 10, M 12, M 16, M 20</p> |

| d ₁ | d ₂ | h ₃ | h ₄ | A/F ₁ | A/F ₂ | A/F ₃ | A/F ₇ | t |
|----------------|----------------|----------------|----------------|------------------|------------------|------------------|------------------|----|
| 50 | M 8 | 26 | - | 17 | - | - | 14 | 8 |
| 50 | M 10 | 26 | - | 17 | - | - | 14 | 10 |
| 50 | M 12 | 26 | - | 17 | - | - | 17 | 12 |
| 50 | M 16 | - | 32 | - | 12 | 8 | 22 | 16 |
| 60 | M 8 | 27 | - | 17 | - | - | 14 | 8 |
| 60 | M 10 | 27 | - | 17 | - | - | 14 | 10 |
| 60 | M 12 | 27 | - | 17 | - | - | 17 | 12 |
| 60 | M 16 | - | 33 | - | 12 | 8 | 22 | 16 |
| 80 | M 8 | 28 | - | 17 | - | - | 14 | 8 |
| 80 | M 10 | 28 | - | 17 | - | - | 14 | 10 |
| 80 | M 12 | 28 | - | 17 | - | - | 17 | 12 |
| 80 | M 16 | - | 34 | - | 12 | 8 | 22 | 16 |
| 80 | M 20 | - | 35 | - | 15 | 10 | 27 | 20 |
| 80 | M 24 | - | 38 | - | 19 | 12 | - | - |
| 100 | M 8 | 29 | - | 17 | - | - | 14 | 8 |
| 100 | M 10 | 29 | - | 17 | - | - | 14 | 10 |
| 100 | M 12 | 29 | - | 17 | - | - | 17 | 12 |
| 100 | M 16 | - | 35 | - | 12 | 8 | 22 | 16 |
| 100 | M 20 | - | 36 | - | 15 | 10 | 27 | 20 |
| 100 | M 24 | - | 39 | - | 19 | 12 | - | - |

Information

Levelling feet GN 32 will be delivered mounted and are not removable.

see also...

- *Stainless Steel-Levelling feet GN 33 (with fixing lug) → Page 12*
- *Levelling feet GN 30 (Steel, zinc plated, without fixing lug) → Page 6*

| | | | |
|-------------------------------------|--|---|----------------------------------|
| How to order | | 1 | d ₁ |
| | | 2 | d ₂ |
| | | 3 | h ₁ (h ₇) |
| | | 4 | Type (Base plate) |
| | | 5 | Version (Stem) |
| <p>GN32-100-M20-150-A1-U</p> | | | |