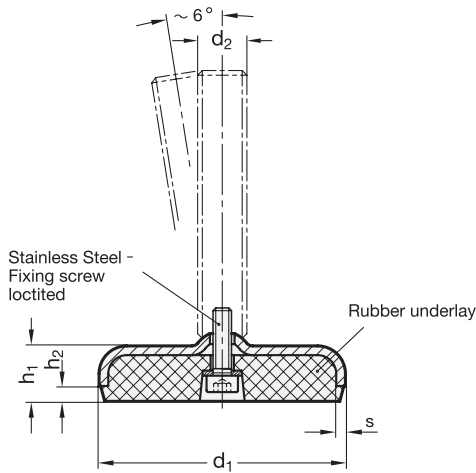


# GN 31 Stainless Steel-Levelling feet



(Nume vechi: GN 340.5; GN 341; GN 341.1; GN 341.2)



#### 4 Type (Base plate)

- B1** matt shot-blasted, rubber, inlaid, black
- B2** matt shot-blasted, rubber, inlaid, white
- B3\*** matt shot-blasted, rubber, vulcanised, black
- B4\*** matt shot-blasted, rubber, vulcanised, white
- C3\*** polished, rubber, vulcanised, black
- C4\*** polished, rubber, vulcanised, white

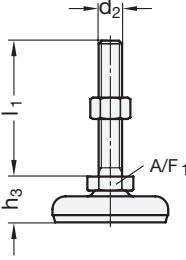
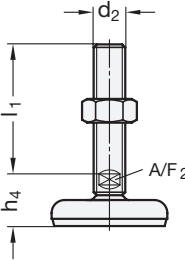
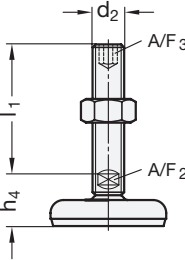
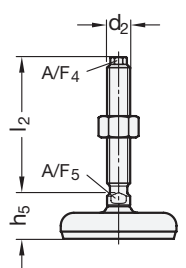
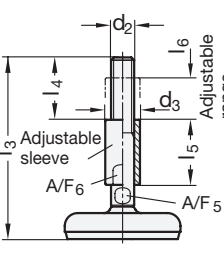
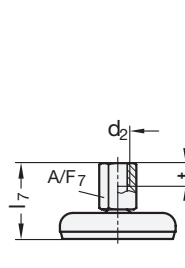
d <sub>1</sub>	d <sub>2</sub>	I <sub>1</sub>	Version T / TK and U / UK								Version V / VK				I <sub>3</sub> <sup>+4,0</sup> Version W				I <sub>7</sub> <sup>+4,0</sup> Vers. X	t	A/F <sub>7</sub>
			Version S / SK																		
50	M 8	40 50 63	-	-	-	-	-	-	-	-	-	-	-	-	-	-	-	37	8	14	
50	M 10	50 60 80	100	-	-	-	-	-	-	-	-	-	-	-	-	-	-	40	10	14	
50	M 12	60 80 100	125	-	-	-	-	-	-	-	-	-	-	-	-	-	-	43	12	17	
50	M 16	-	-	-	75	100	125	150	200	-	-	-	-	-	-	-	-	49	16	22	
60	M 8	40 50 63	-	-	-	-	-	-	-	-	-	-	-	-	-	-	-	38	8	14	
60	M 10	50 60 80	100	-	-	-	-	-	-	-	-	-	-	-	-	-	-	41	10	14	
60	M 12	60 80 100	125	-	-	-	-	-	-	-	-	-	-	-	-	-	-	45	12	17	
60	M 16	-	-	-	75	100	125	150	200	75	100	125	150	123	148	173	198	50	16	22	
80	M 8	40 50 63	-	-	-	-	-	-	-	-	-	-	-	-	-	-	-	40	8	14	
80	M 10	50 60 80	100	-	-	-	-	-	-	-	-	-	-	-	-	-	-	43	10	14	
80	M 12	60 80 100	125	-	-	-	-	-	-	-	-	-	-	-	-	-	-	47	12	17	
80	M 16	-	-	-	75	100	125	150	200	75	100	125	150	125	150	175	200	52	16	22	
80	M 20	-	-	-	75	100	125	150	200	100	125	150	200	149	174	199	249	60	20	27	
80	M 24	-	-	-	100	125	150	200	-	100	150	200	-	174	224	274	-	-	-	-	
100	M 8	40 50 63	-	-	-	-	-	-	-	-	-	-	-	-	-	-	-	42	8	14	
100	M 10	50 60 80	100	-	-	-	-	-	-	-	-	-	-	-	-	-	-	45	10	14	
100	M 12	60 80 100	125	-	-	-	-	-	-	-	-	-	-	-	-	-	-	49	12	17	
100	M 16	-	-	-	75	100	125	150	200	75	100	125	150	126	151	176	201	54	16	22	
100	M 20	-	-	-	75	100	125	150	200	100	125	150	200	151	176	201	251	62	20	27	
100	M 24	-	-	-	100	125	150	200	-	100	150	200	-	176	226	276	-	-	-	-	
120	M 20	-	-	-	100	125	150	200	-	-	-	-	-	-	-	-	-	65	20	27	
120	M 24	-	-	-	100	125	150	200	-	-	-	-	-	-	-	-	-	-	-	-	
120	M 30	-	-	-	100	125	150	200	-	-	-	-	-	-	-	-	-	-	-	-	

\* only available for the dimensions d<sub>1</sub> = 60, 80 and 100.

## Specification

- Base plate, sheet metal  
Stainless Steel AISI 304
- Threaded stem  
Stainless Steel AISI 303
- Hexagon nut ISO 4032  
Stainless Steel AISI 304
- Rubber underlay, inlaid  
- black: Perbunan® (NBR)  
80±5 Shore A  
- white: Santoprene® (TPE)  
80±5 Shore A
- Rubber underlay, vulcanised  
- 80±5 Shore A  
- black: Perbunan® (NBR)  
- white: Perbunan® (NBR)
- RoHS compliant

**Versions of threaded stem**

 <p><b>5</b>  <b>S</b> without nut  <b>SK</b> with nut</p>	 <p><b>5</b>  <b>T</b> without nut  <b>TK</b> with nut</p>	 <p><b>5</b>  <b>U</b> without nut  <b>UK</b> with nut</p>
External heagon at the bottom M 8, M 10, M 12	Wrench flat at the bottom M 16, M 20, M 24, M 30 „not dipping“ version	Heagon socket at the top Wrench flat at the bottom M 16, M 20, M 24, M 30
 <p><b>5</b>  <b>V</b> without nut  <b>VK</b> with nut</p>	 <p><b>5</b>  <b>W</b> with adjustable sleeve                  Adjustable range</p>	 <p><b>5</b>  <b>X</b> with female thread</p>
External heagon at the top Wrench flat at the bottom M 16, M 20, M 24	<b>Hygienic version</b> (see Information) Wrench flat at the bottom M 16, M 20, M 24	External heagon Female thread M 8, M 10, M 12, M 16, M 20

d <sub>1</sub>	d <sub>2</sub>			d <sub>3</sub>	h <sub>1</sub>	h <sub>2</sub>	h <sub>3</sub> <sup>+4,0</sup> <sub>0</sub>	h <sub>4</sub> <sup>+4,0</sup> <sub>0</sub>	h <sub>5</sub> <sup>+4,0</sup> <sub>0</sub>	l <sub>4</sub>	l <sub>5</sub>	l <sub>6</sub>	s	A/F <sub>1</sub>	A/F <sub>2</sub>	A/F <sub>3</sub>	A/F <sub>4</sub>	A/F <sub>5</sub>	A/F <sub>6</sub>
50	M 8	M 10	M 12	-	14,5	3,5	23	-	-	-	-	-	3	17	-	-	-	-	-
50	M 16	-	-	-	14,5	3,5	-	29	-	-	-	-	3	-	12	8	-	-	-
60	M 8	M 10	M 12	-	16	4	24	-	-	-	-	-	3	17	-	-	-	-	-
60	M 16	-	-	24	16	4	-	30	27	45	45	29	3	-	12	8	10	12	20
80	M 8	M 10	M 12	-	18	5	26	-	-	-	-	-	3	17	-	-	-	-	-
80	M 16	-	-	24	18	5	-	32	29	45	45	29	3	-	12	8	10	12	20
80	M 20	-	-	30	18	5	-	33	30	56	56	36	3	-	15	10	13	16	24
80	M 24	-	-	35	18	5	-	36	33	67	67	42	3	-	19	12	17	20	30
100	M 8	M 10	M 12	-	20	6	28	-	-	-	-	-	3	17	-	-	-	-	-
100	M 16	-	-	24	20	6	-	34	31	45	45	29	3	-	12	8	10	12	20
100	M 20	-	-	30	20	6	-	35	32	56	56	36	3	-	15	10	13	16	24
100	M 24	-	-	35	20	6	-	38	35	67	67	42	3	-	19	12	17	20	30
120	M 20	-	-	-	22	6	-	39	-	-	-	-	4	-	15	10	-	-	-
120	M 24	-	-	-	22	6	-	42	-	-	-	-	4	-	19	12	-	-	-
120	M 30	-	-	-	22	6	-	46	-	-	-	-	4	-	24	12	-	-	-

**Information**

Stainless Steel-Levelling feet GN 31 with vulcanised rubber (Type B3, B4, C3 and C4) and the screw version W represent a hygienic version who obtained the EQUIPMENT ACCEPTANCE CERTIFICATE USDA (US Department of Agriculture).

Stainless Steel-Levelling feet GN 31 will be delivered mounted and are not removable.

Load rating information → Page 20

see also...

- *Stainless Steel-Levelling feet GN 33 (with fixing lug)* → Page 12
- *Levelling feet GN 30 (Steel, zinc plated)* → Page 6

How to order	
1	d <sub>1</sub>
2	d <sub>2</sub>
3	l <sub>1</sub> (l <sub>2</sub> , l <sub>3</sub> , l <sub>7</sub> )
4	Type (Base plate)
5	Version (Stem)

**GN31-80-M20-100-C4-U**