

4 Type (Base plate)

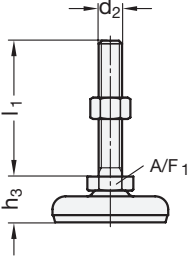
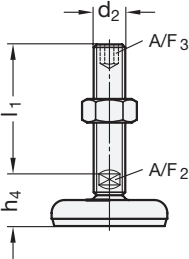
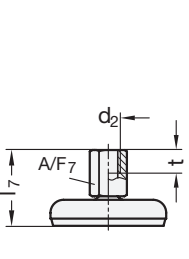
- A1** Steel, zinc plated rubber, inlaid black
- A2** Steel, zinc plated rubber, inlaid white

d ₁	d ₂	1					2					l ₇ Version X	h ₁	h ₂	s
		Version S / SK					Version U / UK								
50	M 8	40	50	63	-	-	-	-	-	-	37	14,5	3,5	3	
50	M 10	50	60	80	100	-	-	-	-	-	40	14,5	3,5	3	
50	M 12	60	80	100	125	-	-	-	-	-	43	14,5	3,5	3	
50	M 16	-	-	-	-	75	100	125	150	200	49	14,5	3,5	3	
60	M 8	40	50	63	-	-	-	-	-	-	38	16	4	3	
60	M 10	50	60	80	100	-	-	-	-	-	41	16	4	3	
60	M 12	60	80	100	125	-	-	-	-	-	45	16	4	3	
60	M 16	-	-	-	-	75	100	125	150	200	50	16	4	3	
80	M 8	40	50	63	-	-	-	-	-	-	40	18	5	3	
80	M 10	50	60	80	100	-	-	-	-	-	43	18	5	3	
80	M 12	60	80	100	125	-	-	-	-	-	47	18	5	3	
80	M 16	-	-	-	-	75	100	125	150	200	52	18	5	3	
80	M 20	-	-	-	-	75	100	125	150	200	60	18	5	3	
80	M 24	-	-	-	-	100	125	150	200	-	-	18	5	3	
100	M 8	40	50	63	-	-	-	-	-	-	42	20	6	3	
100	M 10	50	60	80	100	-	-	-	-	-	45	20	6	3	
100	M 12	60	80	100	125	-	-	-	-	-	49	20	6	3	
100	M 16	-	-	-	-	75	100	125	150	200	54	20	6	3	
100	M 20	-	-	-	-	75	100	125	150	200	62	20	6	3	
100	M 24	-	-	-	-	100	125	150	200	-	-	20	6	3	
120	M 20	-	-	-	-	100	125	150	200	-	65	22	6	4	
120	M 24	-	-	-	-	100	125	150	200	-	-	22	6	4	
120	M 30	-	-	-	-	100	125	150	200	-	-	22	6	4	

Specification

- Base plate, sheet metal
Steel, zinc plated, blue passivated
- Threaded stem
Steel, zinc plated, blue passivated
- Hexagon nut ISO 4032
Steel, zinc plated, blue passivated
- Rubber underlay, inlaid
- black: Perbunan® (NBR) 80±5 Shore A
- white: Santoprene® (TPE) 80±5 Shore A
- Elastomer characteristics
→ Main catalogue page 1140
- Load rating information → Page 19
- RoHS compliant

Versions of threaded stem

 <p>5 S without nut SK with nut</p>	 <p>5 U without nut UK with nut</p>	 <p>5 X with female thread</p>
<p>External hexagon at the bottom M 8, M 10, M 12</p>	<p>Hexagon socket at the top Wrench flat at the bottom M 16, M 20, M 24, M 30</p>	<p>External hexagon Female thread M 8, M 10, M 12, M 16, M 20</p>

d ₁	d ₂	h ₃	h ₄	A/F ₁	A/F ₂	A/F ₃	A/F ₇	t
50	M 8	23	-	17	-	-	14	8
50	M 10	23	-	17	-	-	14	10
50	M 12	23	-	17	-	-	17	12
50	M 16	-	29	-	12	8	22	16
60	M 8	24	-	17	-	-	14	8
60	M 10	24	-	17	-	-	14	10
60	M 12	24	-	17	-	-	17	12
60	M 16	-	30	-	12	8	22	16
80	M 8	26	-	17	-	-	14	8
80	M 10	26	-	17	-	-	14	10
80	M 12	26	-	17	-	-	17	12
80	M 16	-	32	-	12	8	22	16
80	M 20	-	33	-	15	10	27	20
80	M 24	-	36	-	19	12	-	-
100	M 8	28	-	17	-	-	14	8
100	M 10	28	-	17	-	-	14	10
100	M 12	28	-	17	-	-	17	12
100	M 16	-	34	-	12	8	22	16
100	M 20	-	35	-	15	10	27	20
100	M 24	-	38	-	19	12	-	-
120	M 20	-	39	-	15	10	27	20
120	M 24	-	42	-	19	12	-	-
120	M 30	-	46	-	24	12	-	-

Information

Levelling feet GN 30 will be delivered mounted and are not removable.

see also...

- Levelling feet GN 32 (Steel, with fixing lug) → Page 10
- Stainless Steel-Levelling feet GN 31 → Page 6

<p>How to order</p>  <p>GN 30-120-M30-125-A1-UK</p>	1	d ₁
	2	d ₂
	3	l ₁ (l ₁)
	4	Type (Base plate)
	5	Version (Stem)