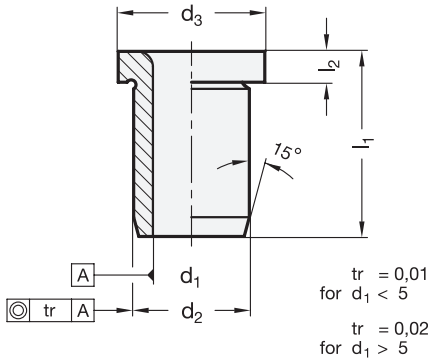
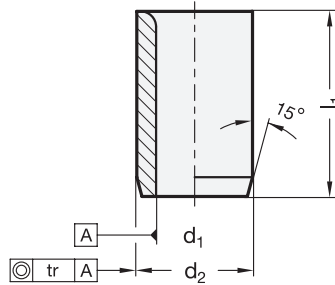


DIN 172 (with collar)



DIN 179 (without collar)



3 Type

A bore one-sided

1

2

d_1 F7 Bore	l_1			d_2 n6	d_3	l_2
B 2	6	9	-	5	8	2
B 2,1	6	9	-	5	8	2
B 2,5 (M 3)	6	9	-	5	8	2
B 3	8	12	16	6	9	2,5
B 3,1	8	12	16	6	9	2,5
B 3,3 (M 4)	8	12	16	6	9	2,5
B 3,5	8	12	16	7	10	2,5
B 3,8	8	12	16	7	10	2,5
B 4	8	12	16	7	10	2,5
B 4,1	8	12	16	8	11	2,5
B 4,2 (M 5)	8	12	16	8	11	2,5
B 4,5	8	12	16	8	11	2,5
B 4,8	8	12	16	8	11	2,5
B 5 (M 6)	8	12	16	8	11	2,5
B 5,1	10	16	20	10	13	3
B 5,5	10	16	20	10	13	3
B 5,8	10	16	20	10	13	3
B 6	10	16	20	10	13	3
B 6,1	10	16	20	12	15	3
B 6,5	10	16	20	12	15	3
B 6,8 (M 8)	10	16	20	12	15	3
B 7	10	16	20	12	15	3
B 7,5	10	16	20	12	15	3
B 7,8	10	16	20	12	15	3
B 8	10	16	20	12	15	3
B 8,1	12	20	25	15	18	3
B 8,5 (M 10)	12	20	25	15	18	3
B 9	12	20	25	15	18	3
B 9,5	12	20	25	15	18	3
B 9,8	12	20	25	15	18	3

1

2

d_1 F7 Bore	l_1			d_2 n6	d_3	l_2
B 10	12	20	25	15	18	3
B 10,1	12	20	25	18	22	4
B 10,2 (M 12)	12	20	25	18	22	4
B 10,5	12	20	25	18	22	4
B 11	12	20	25	18	22	4
B 11,5	12	20	25	18	22	4
B 11,8	12	20	25	18	22	4
B 12	12	20	25	18	22	4
B 12,1	16	28	36	22	26	4
B 12,5	16	28	36	22	26	4
B 13 (M 14)	16	28	36	22	26	4
B 13,5	16	28	36	22	26	4
B 14 (M 16)	16	28	36	22	26	4
B 14,1	16	28	36	22	26	4
B 14,5	16	28	36	22	26	4
B 15	16	28	36	22	26	4
B 15,5	16	28	36	26	30	4
B 16	16	28	36	26	30	4
B 16,1	16	28	36	26	30	4
B 16,5	16	28	36	26	30	4
B 17	16	28	36	26	30	4
B 18	16	28	36	26	30	4
B 19	20	36	45	30	34	5
B 20	20	36	45	30	34	5
B 22	20	36	45	30	34	5
B 24	20	36	45	35	39	5
B 25	20	36	45	35	39	5
B 26	20	36	45	35	39	5
B 28	25	45	56	42	46	5
B 30	25	45	56	42	46	5



2.1

2.2

2.3

2.4

2.5

Specification

- Steel
 - hardened (HRC 62 ±2)
- Fit sizes d_1 , d_2 ground
- *ISO-Fundamental Tolerances* → Page 1132
- **RoHS compliant**

On request

- other bores d_1

Information

The dimensions listed in this standard sheet are merely a selection of the (currently withdrawn) DIN standards.

For applications involving positioning, we recommend the combination with the GN 771.1 guide pins.

The tolerance n6 of the outside diameter d_2 guarantees a perfect pressfit in a mounting borehole H7.

see also...

- *Guide pins GN 771.1* → Page 576

2.6

2.7

2.8

2.9

Guide bush with collar


DIN 172-B8,1-20-A
1 d_1 2 l_1

3 Type

Guide bush without collar


DIN 179-B12-12-A
1 d_1 2 l_1

3 Type

