

## Rod controls



### • Rod guides

Zinc-plated steel supplied with steel seeger.

### • Toothed wheel

Zinc alloy with superficial chromate treatment.

### • Standard executions

- **CAR-M-347**: nickel-plated zinc alloy.
- **CAR-TP-347**: glass-fibre reinforced polyamide based (PA) technopolymer.

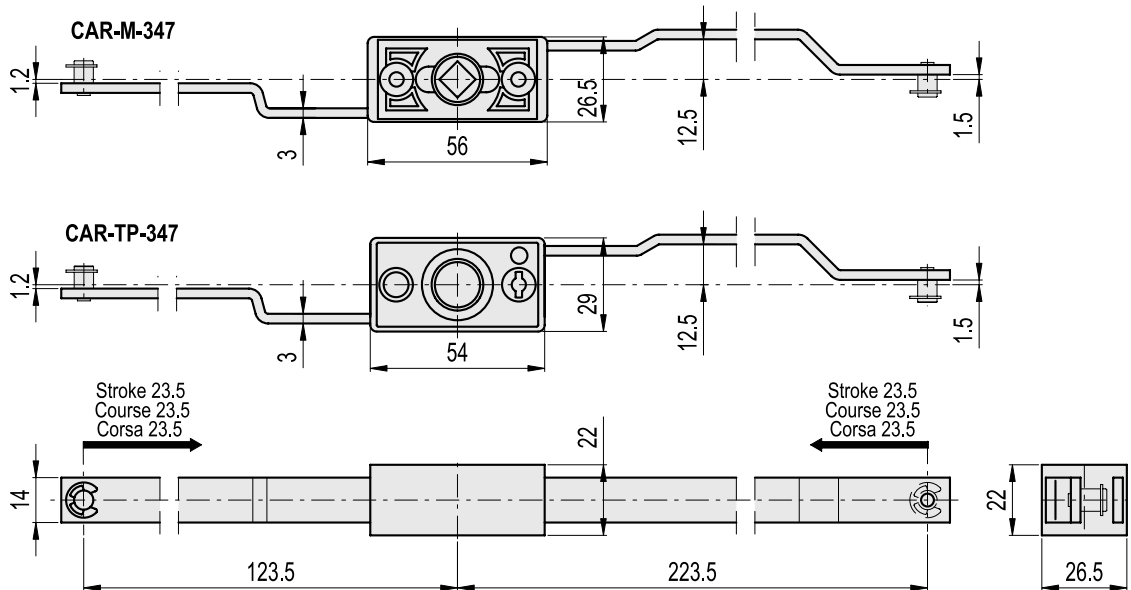
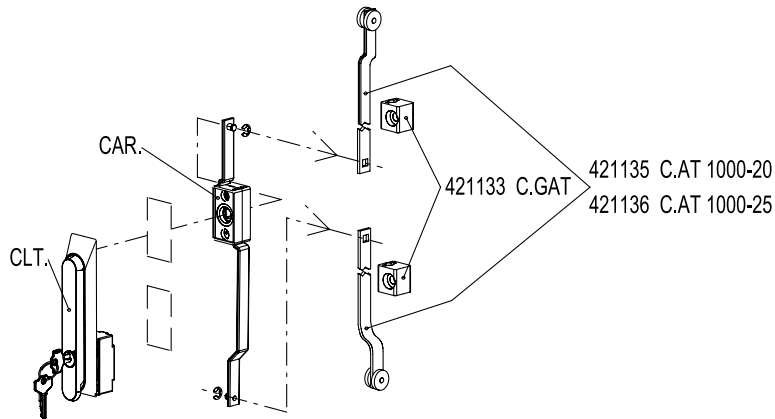
Resistant to solvents, oils, greases and other chemical agents.

### Accessories on request

Rod control CAR. are used in combination with latches with handles CLT. to be ordered separately (see the assembly drawing).

Other accessories available on request:

- black technopolymer rod guides: one rod guide every 500 mm of rod control (code 421133 C.GAT);
- 2 flat galvanised steel rod guides, section 14x3 mm, length 1.000 mm and black technopolymer edge rolls for frame 20 mm thick (code 421135 C.AT 1000-20).
- 2 flat galvanised steel rod guides, section 14x3 mm, length 1.000 mm and black technopolymer edge rolls for frame 25 mm thick (code 421136 C.AT 1000-25).



Code	Description	⚖
420031	CAR-M-347	210
420032	CAR-TP-347	150