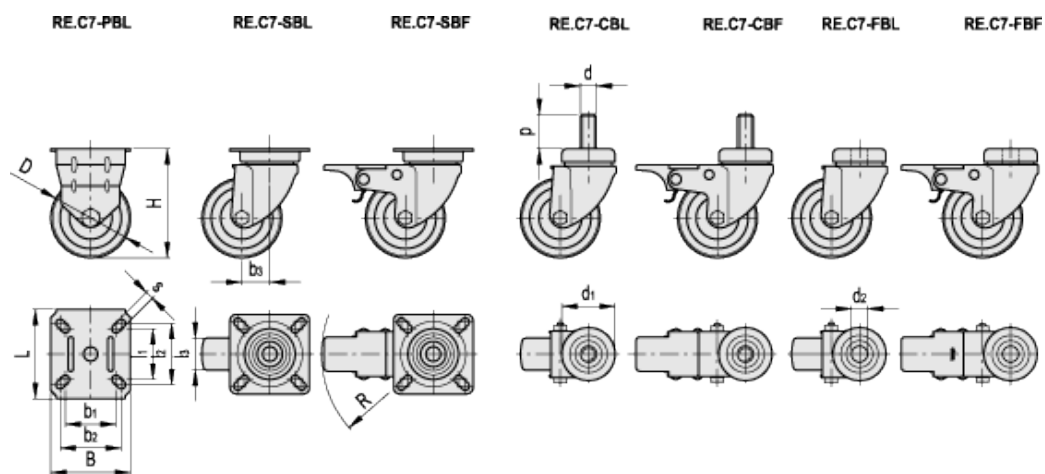


# RE.C7



Vulcanised rubber wheels for the general public



## technical informations

### Covering

Grey anti-trace vulcanised rubber.

### Wheel centre body

Polyamide-based technopolymer (PA). Resistant to solvents, oils, greases and other chemical agents.

### Hub

Directly made into the centre.

### Axle set

Calibrated zinc-plated steel precision tube. The tube serves as a spacer, is tightened to the bracket with screw and nut to a un predetermined torque value. The wheel bore rotates onto the tube freely.

### Fixed plate bracket

Electrolytically zinc-plated steel plate bracket.

### Turning plate bracket

Electrolytically zinc-plated steel sheet bracket.

The presence of two ball turns and the direct contact between the plate and the ball race ring with built-in pin ensure excellent manoeuvrability and very limited clearance.

### Front-actuated brake

Total brake that locks the wheel and bracket rotation. The optimised dimensions and the retractible pedal ensure minimal space occupied and maximum actuation ease.

### Standard executions

- PBL: fixed plate bracket, without brake.
- SBL: turning plate bracket, without brake.
- SBF: turning plate bracket, with brake.
- CBL: turning plate bracket and threaded centre pin, without brake.
- CBF: turning plate bracket and threaded centre pin, with brake.
- FBL: turning plate bracket with centre pass-through hole, without brake.
- FBF: turning plate bracket and pass-through hole, with brake.

### Applications

Wheels for the general public, excellent smoothness and elasticity features.

### Environmental conditions

The wheel RE.C7 is suitable for use in humid environments and in the presence of medium-aggressive chemical environments; use in environments with the presence of organic, chlorinated solvents, hydrocarbons and mineral oils is not recommended.



Standard Elements

Main dimensions

Dynamic carrying capacity #

Weight

Code	Description	D	l <sub>3</sub>	H	B	L	s	b <sub>1</sub>	l <sub>1</sub>	b <sub>2</sub>	l <sub>2</sub>	b <sub>3</sub>	R	d	p	d <sub>1</sub>	d <sub>2</sub>	[N]	g
452096	RE.C7-040-PBL	40	18	59	42	42	5	27	27	33	33	-	-	-	-	-	-	300	110
452101	RE.C7-050-PBL	50	20	67	55	55	6	38.5	38.5	44	44	-	-	-	-	-	-	350	200
452106	RE.C7-060-PBL	60	24	83	60	67	6	39.5	39.5	48	48	-	-	-	-	-	-	500	260
452111	RE.C7-080-PBL	80	24	104	60	67	6	39.5	39.5	48	48	-	-	-	-	-	-	550	340
451996	RE.C7-040-SBL	40	18	59	42	42	5	30	30	33	33	24	-	-	-	-	-	300	120
452001	RE.C7-050-SBL	50	20	67	55	55	6	38.5	38.5	44	44	24	-	-	-	-	-	350	200
452006	RE.C7-060-SBL	60	24	83	60	60	6	38.5	38.5	48	48	21	-	-	-	-	-	500	280
452011	RE.C7-080-SBL	80	24	104	60	60	6	38.5	38.5	48	48	30	-	-	-	-	-	550	430
452046	RE.C7-040-SBF	40	18	59	42	42	5	30	30	33	33	24	78	-	-	-	-	300	150
452051	RE.C7-050-SBF	50	20	67	55	55	6	38.5	38.5	44	44	24	76	-	-	-	-	350	240
452056	RE.C7-060-SBF	60	24	83	60	60	6	38.5	38.5	48	48	21	84	-	-	-	-	500	400
452061	RE.C7-080-SBF	80	24	104	60	60	6	38.5	38.5	48	48	30	91	-	-	-	-	550	500
452146	RE.C7-040-CBL	40	18	59	-	-	-	-	-	-	-	24	-	M8	15	35	-	300	130
452151	RE.C7-050-CBL	50	20	66	-	-	-	-	-	-	-	24	-	M8	15	35	-	350	180
452156	RE.C7-060-CBL	60	24	83	-	-	-	-	-	-	-	21	-	M12	25	41	-	500	290
452161	RE.C7-080-CBL	80	24	104	-	-	-	-	-	-	-	25	-	M12	25	41	-	550	390
452196	RE.C7-040-CBF	40	18	59	-	-	-	-	-	-	-	24	78	M8	15	35	-	300	180
452201	RE.C7-050-CBF	50	20	66	-	-	-	-	-	-	-	24	76	M8	15	35	-	350	210
452206	RE.C7-060-CBF	60	24	83	-	-	-	-	-	-	-	21	84	M12	25	41	-	500	360
452211	RE.C7-080-CBF	80	24	104	-	-	-	-	-	-	-	25	91	M12	25	41	-	550	460
452246	RE.C7-040-FBL	40	18	59	-	-	-	-	-	-	-	24	-	-	-	35	10	300	110
452251	RE.C7-050-FBL	50	20	66	-	-	-	-	-	-	-	24	-	-	-	35	10	350	200
452256	RE.C7-060-FBL	60	24	83	-	-	-	-	-	-	-	21	-	-	-	41	12	500	280
452261	RE.C7-080-FBL	80	24	104	-	-	-	-	-	-	-	25	-	-	-	41	12	550	430
452296	RE.C7-040-FBF	40	18	59	-	-	-	-	-	-	-	24	78	-	-	35	10	300	140
452301	RE.C7-050-FBF	50	20	66	-	-	-	-	-	-	-	24	76	-	-	35	10	350	240
452306	RE.C7-060-FBF	60	24	83	-	-	-	-	-	-	-	21	84	-	-	41	12	500	400
452311	RE.C7-080-FBF	80	24	104	-	-	-	-	-	-	-	25	91	-	-	41	12	550	500

# See [Technical Data](#) for dynamic carrying capacity.



ELESA and GANTER models all rights reserved in accordance with the law. Always mention the source when reproducing our drawings.

STANDARD MACHINE ELEMENTS WORLDWIDE