

**2** Type

F solid clamping arm

**1**

Size	F <sub>H</sub> in N Holding force	b <sub>1</sub>	b <sub>2</sub>	b <sub>3</sub>	b <sub>4</sub>	e
1000	10000	80	36	20	20	67
2000	20000	100	36	20	20	82
3000	30000	110	45	25	25	90

Size	h <sub>1</sub>	h <sub>2</sub>	h <sub>3</sub>	l <sub>1</sub>	l <sub>2</sub>	r
1000	265	55	25	190	110	177
2000	297	65	35	220	120	202
3000	320	80	40	250	140	230

**Specification**

- Clamping arm, bearing pins  
Steel St 60  
blackened
- other parts  
Steel St 37  
- weldable  
- blackened
- Bearing pins / bearing rivets  
case hardened
- all moving parts  
lubricated with special grease
- solid moulded plastic handle sleeve  
red, oil resistant
- RoHS compliant

**Information**

Vertical clamps GN 813 are used for applications where a very high holding force is required such as closing of foam moulds.

These clamps have been designed for easy dismantling: i.e. the bearing pins are locked with circlips.

After dismantling the individual parts, they can be modified to suit individual applications.

see also...

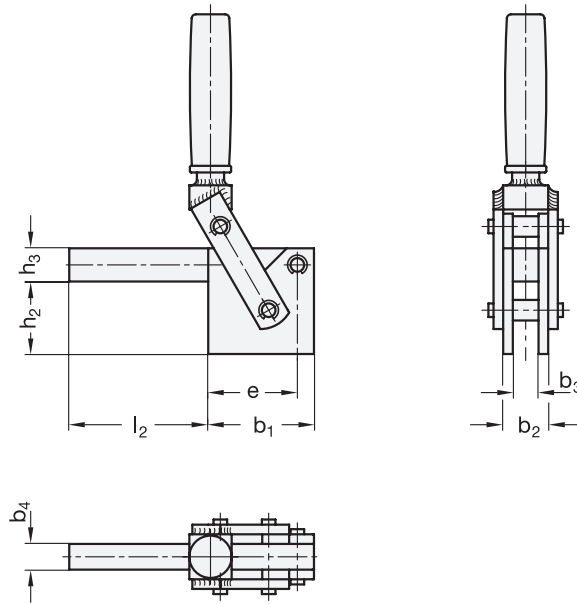
- General information to toggle clamps → Page 676

How to order

**GN813-2000-F**

**1** Size

**2** Type



2.1

2.2

2.3

**2.4**

2.5

2.6

2.7

2.8

2.9

