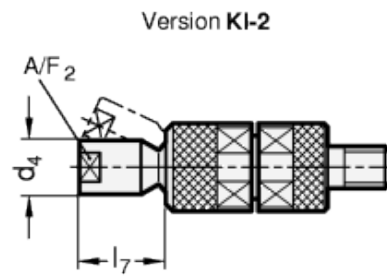
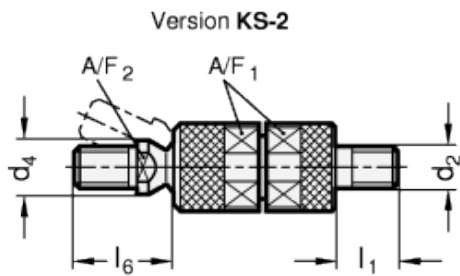
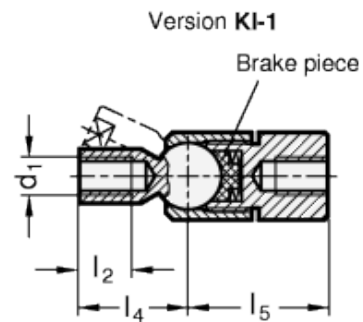
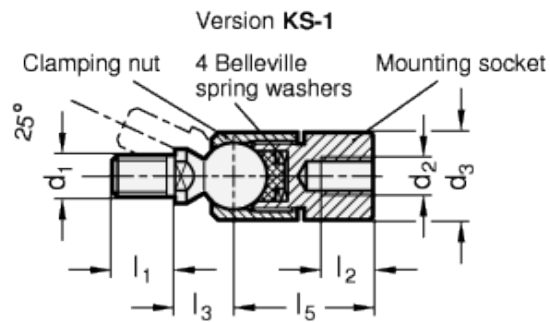


# GN 782

Axial ball joints



## technical informations

### Material

Zinc-plated steel, blue passivated.

- Version KS: ball with male thread.
- Version KI: ball with female thread.

### Brake piece

Polyamide based (PA) technopolymer.

### Assembly

- Type 1: mounting socket with female thread.
- Type 2: mounting socket with male thread.

### Features and applications

The clamping nut of the GN 782 axial ball joints can be set to give a required thrust on the Belleville spring washers in order to increase the resistance to the ball movement.

At the same time the Belleville spring washers act as a safety washers for the screws.

Once the max. thrust to the Belleville spring washers is reached the ball arm is firmly immobilised in position over the clamping nut and screw.

Standard Elements	Main dimensions														recommended tightening torque in Nm $\approx$	Weight g
	d <sub>1</sub>	d <sub>2</sub>	d <sub>3</sub>	d <sub>4</sub>	l <sub>1</sub>	l <sub>2</sub>	l <sub>3</sub>	l <sub>4</sub>	l <sub>5</sub> +1.0/-0.3	l <sub>6</sub> $\approx$	l <sub>7</sub> $\approx$	A/F 1	A/F 2			
GN 782-M6-KS-1	M 6	M 6	17	8.5	10	8	11	20	25	16.8	16	15	7	-	46	
GN 782-M8-KS-1	M 8	M 8	17	8.5	10	8	11	20	25	16.8	16	15	7	17	68	
GN 782-M10-KS-1	M 10	M 10	21	13	15	12	14	26	33.5	23.5	20	19	11	34	95	
GN 782-M12-KS-1	M 12	M 12	28	16	14	15	20	34	44	27.7	28	21	14	-	105	
GN 782-M6-KS-2	M 6	M 6	17	8.5	10	8	11	20	25	16.8	16	15	7	-	46	
GN 782-M8-KS-2	M 8	M 8	19	11	12	10	12.5	23	29.5	19.5	18	17	9	17	68	
GN 782-M10-KS-2	M 10	M 10	21	13	15	12	14	26	33.5	23.5	20	19	11	34	95	
GN 782-M12-KS-2	M 12	M 12	28	16	14	15	20	34	44	27.7	28	21	14	-	105	
GN 782-M6-KI-1	M 6	M 6	17	8.5	10	8	11	20	25	16.8	16	15	7	-	50	
GN 782-M8-KI-1	M 8	M 8	19	11	12	10	12.5	23	29.5	19.5	18	17	9	17	75	
GN 782-M10-KI-1	M 10	M 10	21	13	15	12	14	26	33.5	23.5	20	19	11	34	108	
GN 782-M12-KI-1	M 12	M 12	28	16	14	15	20	34	44	27.7	28	21	14	-	115	
GN 782-M6-KI-2	M 6	M 6	17	8.5	10	8	11	20	25	16.8	16	15	7	-	50	
GN 782-M8-KI-2	M 8	M 8	19	11	12	10	12.5	23	29.5	19.5	18	17	9	17	75	
GN 782-M10-KI-2	M 10	M 10	21	13	15	12	14	26	33.5	23.5	20	19	11	34	108	
GN 782-M12 -KI-2	M 12	M 12	28	16	14	15	20	34	44	27.7	28	21	14	-	115	



STANDARD MACHINE ELEMENTS WORLDWIDE