

VDC-XX

Solid handwheels for position indicators



ELESA Original design



technical informations

Material

High-resistance reinforced phenolic based (PF) Duroplast. Resistant to solvents, oils, greases and other chemical agents.

Colour

Black, glossy finish.

Assembly

Black-oxide steel hub.

- VDC-GXX: for gravity indicators.

Not drilled hub, see table for maximum permissible boring diameters d' and d'' .

- VDC-GXX+I: for gravity indicators.

Not drilled hub, see table for maximum permissible boring diameters d' and d'' .

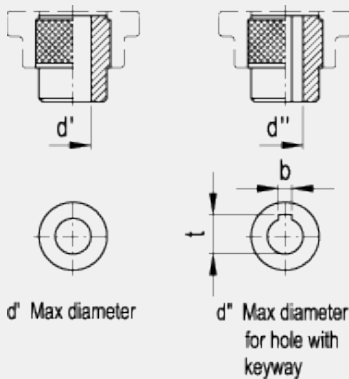
Type [L.301+x](#) revolving handle in Duroplast, black colour, glossy finish.

- VDC-PXX+I: for positive drive indicators.

Rear flange with internal crown gear wheel in acetal resin based (POM) technopolymer. Black-oxide steel screw and anchor pin.

Hub with H7 reamed through hole.

Type [L.301+x](#) revolving handle in Duroplast, black colour, glossy finish.

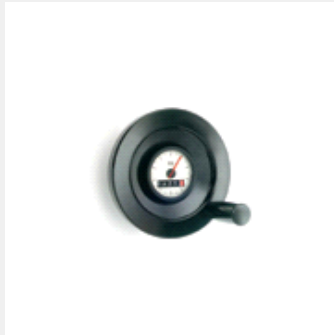


Ergonomy

The rim with internal rear scallops (for models with diameter $D \geq 125$ mm) makes the grip and the manoeuvre of the handwheel easier especially in the versions without handle.

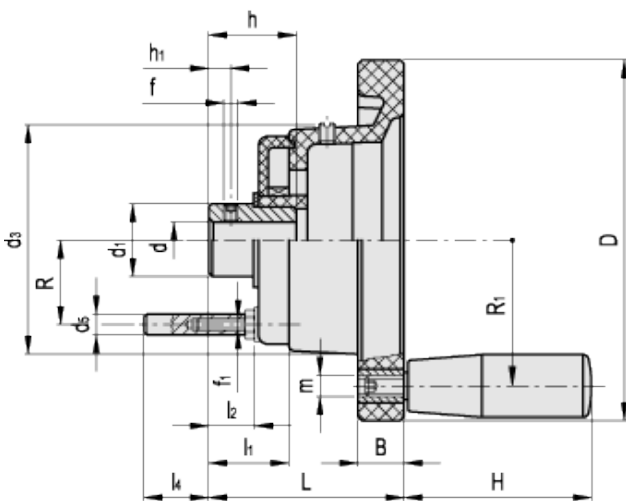
Indicator choice (to be ordered separately)

To choose the indicator see the table below "Possible assembly with indicators". See also "[Assembly instructions](#)" for gravity indicators type G or positive drive indicators type P.



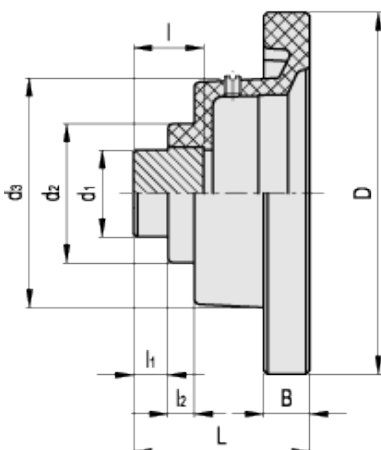
Application example with GW12 indicator

VDC-PXX+I

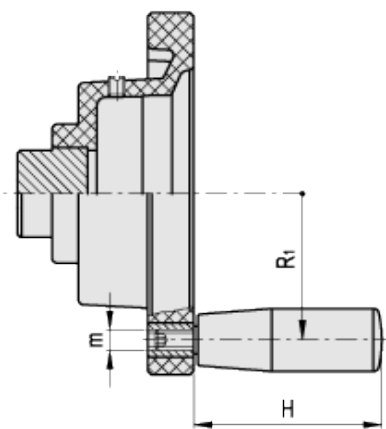


Standard Elements		Main dimensions													Mounting hole		Handle			Weight	Handwheel/indicator combinations
Code	Description	D	L	B	d ₁	d ₃	d ₅	f	f ₁	h ₁	l ₁	l ₂	l ₄	R	d _{H7}	h	H	m	R ₁	g	
CE.30462	VDC.80-PXX1+I A-8	87	57	14	18	58	6	M5	M4	5	19	11	14.1	19	8	23	40	M6	34.5	230	PA01 - PA11
CE.30482	VDC.100-PXX2+I A-10	108	60	14	30	78	6	M5	M4	6	21	13	12.1	28.5	10	25	50	M6	45	390	PA02 - PA12 - PW12

VDC-GXX



VDC-GXX+I



Standard Elements	Main dimensions	Permissible holes	Handle	Weight	Handwheel/indicator
-------------------	-----------------	-------------------	--------	--------	---------------------

Code	Description	D	L	B	d ₁	d ₂	d ₃	I	l ₁	l ₂	d'	d''	t	b	H	m	R ₁	g	combinations
CE.30501	VDC.125-GXX2	125	61	16	30	48	82	25	12	9	25	20	22.8	6	-	-	-	400	GA02 - GA12 - GW12
CE.30601	VDC.140-GXX2	140	65	17	30	50	82	25	12	9	25	20	22.8	6	-	-	-	470	GA02 - GA12 - GW12
CE.30701	VDC.160-GXX2	160	72	18	35	53	84	30	15	10	30	24	27.3	8	-	-	-	650	GA02 - GA12 - GW12
CE.30901	VDC.160-GXX5	160	71	18	36	53	123	34	14	11	31	25	28.3	8	-	-	-	730	GA05
CE.31001	VDC.180-GXX5	180	78	19	36	56	127	34	14	12	31	25	28.3	8	-	-	-	940	GA05
CE.31101	VDC.200-GXX5	200	79	20	40	59	127	34	13	15	35	29	32.3	8	-	-	-	1080	GA05
CE.30461	VDC.80-GXX1+I	87	57	14	25	40	58	23	11	8.5	20	16	18.3	5	40	M6	34.5	245	GA01 - GA11
CE.30481	VDC.100-GXX2+I	108	60	14	30	46	79	25	12	9.5	25	20	22.8	6	50	M6	45	375	GA02 - GA12 - GW12
CE.30511	VDC.125-GXX2+I	125	61	16	30	48	82	25	12	9	25	20	22.8	6	65	M8	53	480	GA02 - GA12 - GW12
CE.30611	VDC.140-GXX2+I	140	65	17	30	50	82	25	12	9	25	20	22.8	6	65	M8	60	540	GA02 - GA12 - GW12
CE.30711	VDC.160-GXX2+I	160	72	18	35	53	84	30	15	10	30	24	27.3	8	80	M8	68	750	GA02 - GA12 - GW12
CE.30811	VDC.180-GXX2+I	180	78	19	35	56	85	30	15	10	30	24	27.3	8	80	M10	77.5	890	GA02 - GA12 - GW12
CE.30911	VDC.160-GXX5+I	160	71	18	36	53	123	34	14	11	31	25	28.3	8	80	M8	68	825	GA05
CE.31011	VDC.180-GXX5+I	180	78	19	36	56	127	34	14	12	31	25	28.3	8	80	M10	77.5	1010	GA05
CE.31111	VDC.200-GXX5+I	200	79	20	40	59	127	34	13	15	35	29	32.3	8	80	M10	87	1180	GA05



ELESA and GANTER models all rights reserved in accordance with the law. Always mention the source when reproducing our drawings.

STANDARD MACHINE ELEMENTS WORLDWIDE