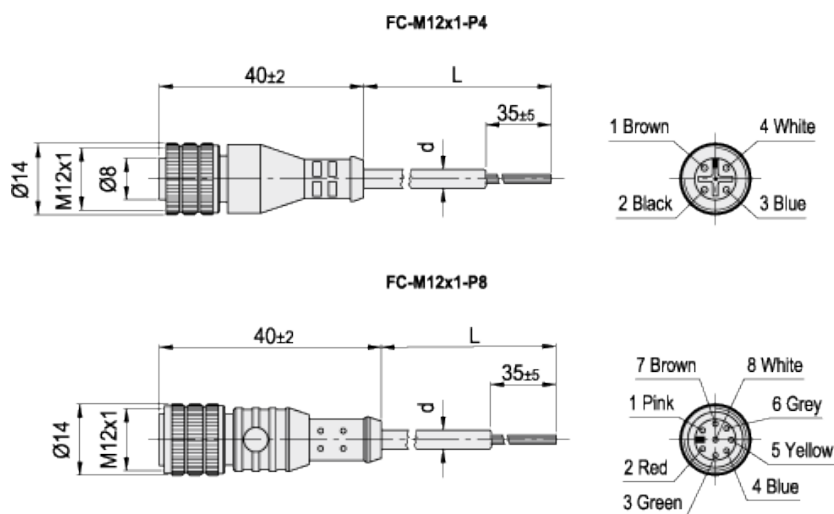


FC-M12x1

Extensions with M12x1 connector



Elesa Standards		Main dimensions		Weight
Code	Description	d	L _{min}	g
426502	FC-M12x1-P4-2.5	5	2500	110
426505	FC-M12x1-P4-5.0	5	5000	200
426510	FC-M12x1-P4-10.0	5	10000	390
426503	FC-M12x1-P8-2.5	7.2	2500	210
426506	FC-M12x1-P8-5.0	7.2	5000	410
426511	FC-M12x1-P8-10.0	7.2	10000	810

Standard executions

Polyamide based (PA) technopolymer connector with housing and contact holder, nickel-plated brass nut.

- FC-M12x1-P4: 4 pole M12x1 female axial connector. Cable with sheath in PVC CEI 2022, black colour.
- FC-M12x1-P8: 8 pole M12x1 female axial connector. Cable with sheath in PVC, black colour, UL/CSA STYLE type.

Compatibility

Electromechanical products with 4 and 8 pole male connector output.

- [CFSQ](#) hinges with built-in safety switch.
- [CFSW](#) hinges with built-in safety multiple switch.
- [EBR-SW](#) handle with built-in electric switch.

Special executions on request

Extensions with cables in different lengths.

Connector	FC-M12x1-P4	FC-M12x1-P8
Conductors cross-section	4x0.34mm ²	8x0.33mm ² (AWG22)
Maximum applicable voltage	250V	30V
Maximum opening capacity	4A	2A
Isolation resistance	≥100MΩ 500VDC	≥100MΩ 500VDC
Working temperature	-25°C, +70°C	-15°C, +70°C
Protection level	IP69K *	IP67 *

* With the connector properly screwed



STANDARD MACHINE ELEMENTS WORLDWIDE

ELESA models all rights reserved in accordance with the law. Always mention the source when reproducing our drawings.