

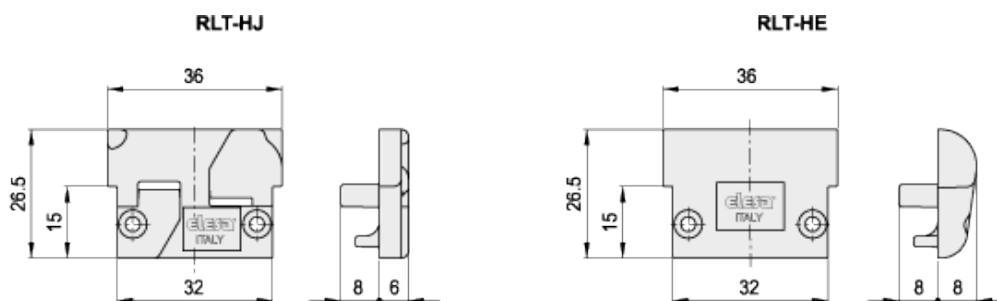
RLT-H

Headers for ELEROLL roller tracks



FM Design

ele:roll*



technical informations

Material

Polyamide based (PA) technopolymer, black colour.

Standard executions

- RLT-HJ: joining header.
- RLT-HE: end (or ending?) header.

Features and applications

RLT-HJ header serves to bind tightly two ELEROLL rollers by engaging them (Fig. 1).

RLT-HE header is the end-element of ELEROLL roller tracks (Fig. 2).

In addition to being an aesthetic element, the headers represent a safety element as they prevent the ends of the aluminum profile from injuring the operator or damaging the handled material.

Assembly

Assemble the headers to the end of RLT-AL aluminum profile by means of two UNI 6954 Ø 2,9 x13 self-tapping screws (not supplied).

* Trademark application

Fig.1

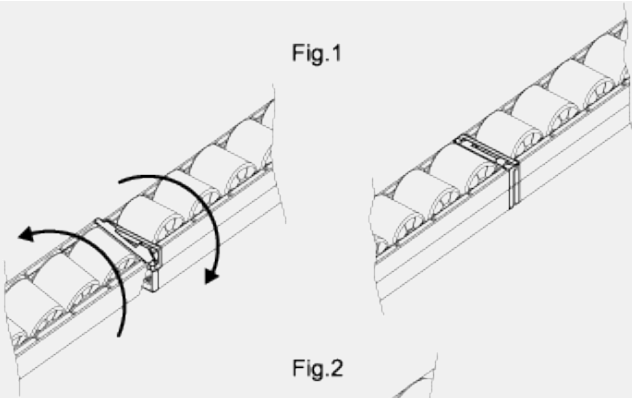
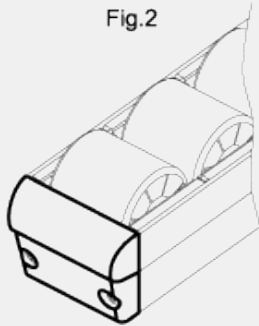


Fig.2



Standard Elements		Weight
Code	Description	g
429816	RLT-HJ	4
429821	RLT-HE	6



ELESA and GANTER models all rights reserved in accordance with the law. Always mention the source when reproducing our drawings.

STANDARD MACHINE ELEMENTS WORLDWIDE