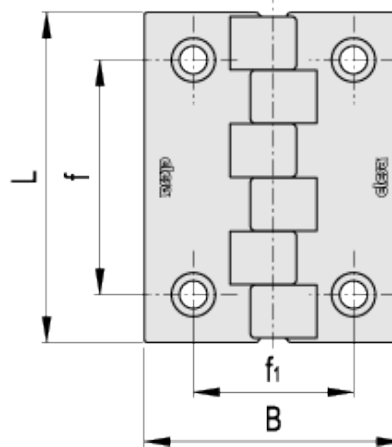
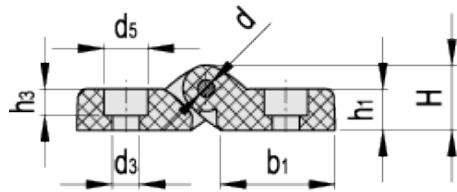


CFL.

Hinges



ELESA Original design



technical informations

Material

Glass-fibre reinforced polyamide based (PA) technopolymer. Resistant to solvents, oils, greases and other chemical agents.

Colour

Black, matte finish.

Rotation pin

AISI 303 stainless steel.

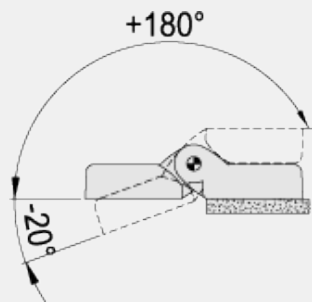
Standard execution

Pass-through holes for cylindrical head screws.

Rotation angle (approximate value)

Max 200° (-20° and + 180° being 0° the condition where the two interconnected surfaces are on the same plane). Do not exceed the rotation angle limit so as not to prejudice the hinge mechanical performance.

To choose the convenient type and the right number of hinges for your application, see the [Guidelines](#).



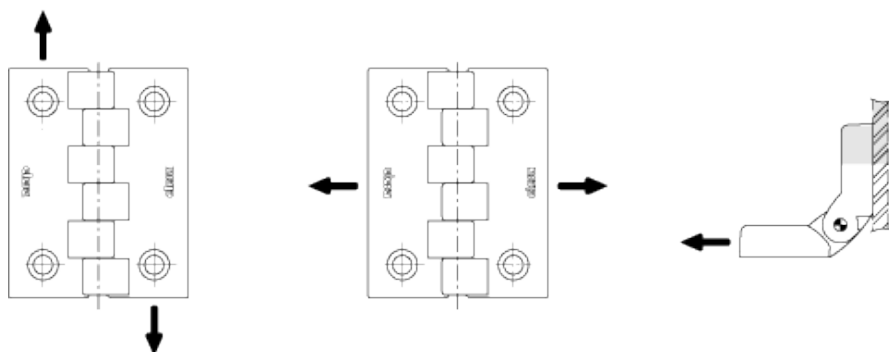
Standard Elements		Main dimensions								Fitting				Weight
Code	Description	L	B	$f_{\pm 0.25}$	$f_1 \pm 0.25$	H	h_1	b_1	d	d_3	d_5	h_3	C [Nm] #	g
425201	CFL.102 CH-6	102	80	72.5	49.5	20.5	13	35.5	5	6.5	10.5	6.5	5	110
425202	CFL.102 CH-8	102	80	72.5	49.5	20.5	13	35.5	5	8.5	13.5	8	5	106

Suggested tightening torque for assembly screws.

Axial stress

Radial stress

90° angled stress



Resistance tests	AXIAL STRESS		RADIAL STRESS		90° ANGLED STRESS	
Description	Maximum working load E_a [N]	Load at breakage R_a [N]	Maximum working load E_r [N]	Load at breakage R_r [N]	Maximum working load E_{90} [N]	Load at breakage R_{90} [N]
CFL.102 CH-6	4000	10000	4500	10000	2000	4000
CFL.102 CH-8	3500	9000	4500	10000	2000	4000



ELESA and GANTER models all rights reserved in accordance with the law. Always mention the source when reproducing our drawings.

STANDARD MACHINE ELEMENTS WORLDWIDE