

Indexing plungers with flange and rest position

RoHS

- **Body with flange**

Zinc-plated die-cast zinc-alloy with two holes for assembly with countersunk head screws.

- **Plunger**

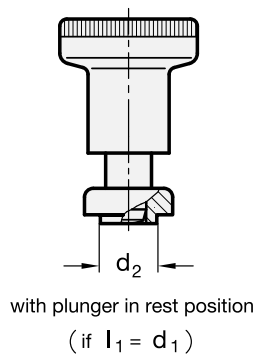
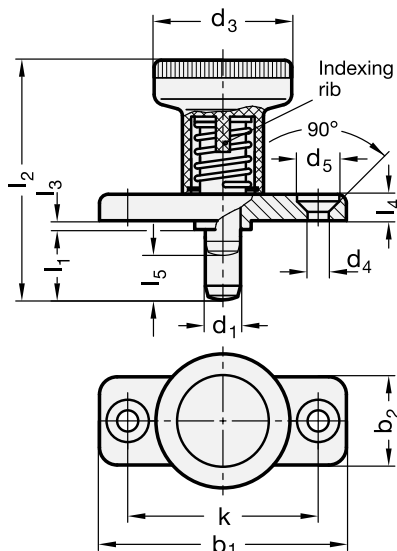
AISI 303 stainless steel, chemically nickel plated.
Suggested matching hole in H7 tolerance.

- **"Push/Pull" knurled knob**

High resilience polyamide based (PA) technopolymer, black colour, matte finish. Resistant to solvents, oils, greases and other chemical agents.

Features and applications

Indexing plungers GN 608.6 with flange and rest position have compact dimensions and are used on thin metal sheets and where the plunger needs to be locked in the retracted position.



Standard Elements	Main dimensions														Spring pressure in N \approx		Axial holding force in N	⚖ g
	Description	d_1 ^{-0.02/-0.04}	l_1	b_1	b_2	d_2 ^{-0.02/-0.1}	d_3	d_4	d_5	k	l_2	l_3 -0.15	l_4	l_5	Preload	Max. load		
GN 608.6-6-6	6	6	40	18	10	25	4.3	8.3	30	37	2.5	4.5	6	8.5	22	400	23	
GN 608.6-6-14	6	14	40	18	10	25	4.3	8.3	30	45	2.5	4.5	6	8.5	22	400	39	
GN 608.6-8-8	8	8	46	20	12	31	5.3	10.4	34	44	2.5	5.5	8	15.5	28	500	58	
GN 608.6-8-18	8	18	46	20	12	31	5.3	10.4	34	54	2.5	5.5	8	15.5	28	500	63	