

EFH.620

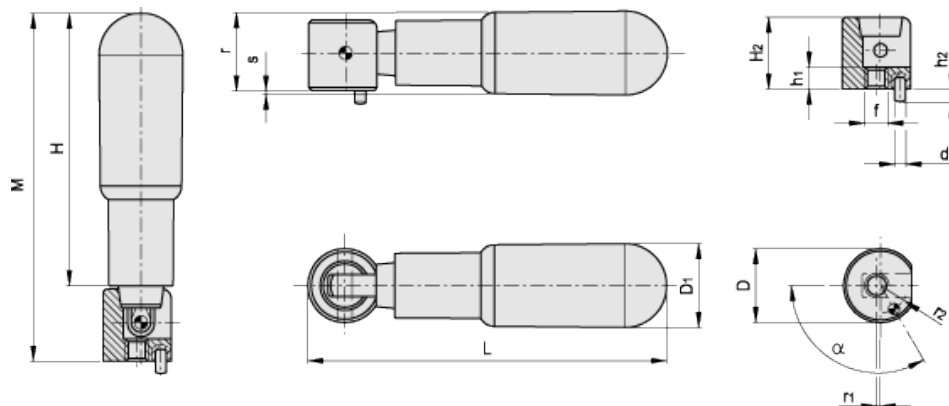
Two-volume fold-away handles



ELESA Original design



ERGOSTYLE[®]
INOX
Stainless Steel



Ergostyle		Main dimensions									Mounting hole		Dowel				Weight
Code	Description	H	L	M	D	D ₁	H ₂	r	r ₁	s	f	h ₁	d ₁	h ₂ -0.2	r ₂	α	g
285151-R	EFH.620/60 S.D.16	60	78	76	16	18	15	17.5	1	1	M4	5	3	3	5.5	90°	38
285161-R	EFH.620/65 S.D.16	65	83.5	81	16	22	15	19.5	1	2	M4	5	3	3	5.5	90°	75
285166-R	EFH.620/65 S.D.20	65	90.5	86	20	22	19.5	21.5	0.6	0.5	M6	6	3	3	7	120°	110
285171-R	EFH.620/80 S.D.20	80	105	101	20	24	19.5	22.5	0.6	1.5	M6	6	3	3	7	120°	120
285181-R	EFH.620/90 S.D.20	90	115	111	20	25	19.5	23	0.6	2	M6	6	3	3	7	120°	136

Ergostyle		Main dimensions									Mounting hole		Dowel				Weight
Code	Description	H	L	M	D	D ₁	H ₂	r	r ₁	s	f	h ₁	d ₁	h ₂ -0.2	r ₂	α	g
285153-R	EFH.620/60-SST-S.D.16	60	78	76	16	18	15	17.5	1	1	M4	5	3	3	5.5	90°	38
285163-R	EFH.620/65-SST-S.D.16	65	83.5	81	16	22	15	19.5	1	2	M4	5	3	3	5.5	90°	75
285168-R	EFH.620/65-SST-S.D.20	65	90.5	86	20	22	19.5	21.5	0.6	0.5	M6	6	3	3	7	120°	110
285173-R	EFH.620/80-SST-S.D.20	80	105	101	20	24	19.5	22.5	0.6	1.5	M6	6	3	3	7	120°	120
285183-R	EFH.620/90-SST-S.D.20	90	115	111	20	25	19.5	23	0.6	2	M6	6	3	3	7	120°	136

Material

Polyamide based (PA) technopolymer handle. Resistant to solvents, oils, greases and other chemical agents.

Colour

Black, matte finish.

Standard executions

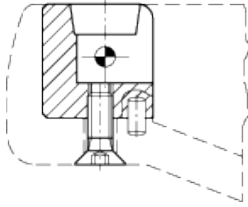
- EFH.620: black-oxide steel stud, sintered and oxidised steel flat base for embedded mounting, black-oxide steel screw.
- EFH.620-SST: AISI 303 stainless steel stud, sintered AISI 303 stainless steel flat base for embedded mounting, AISI 303 stainless steel screw.

Features and applications

Handle pivots freely during operation: a system of coaxial bushings compensates return spring load.

This series of fold-away handles has been designed for all those applications for which, owing to lack of space or for safety reasons, the handle must be folded-away once the operation has been completed.

**Normal assembly example
with embedded base**



elesa

STANDARD MACHINE ELEMENTS WORLDWIDE

ELESA models all rights reserved in accordance with the law. Always mention the source when reproducing our drawings.