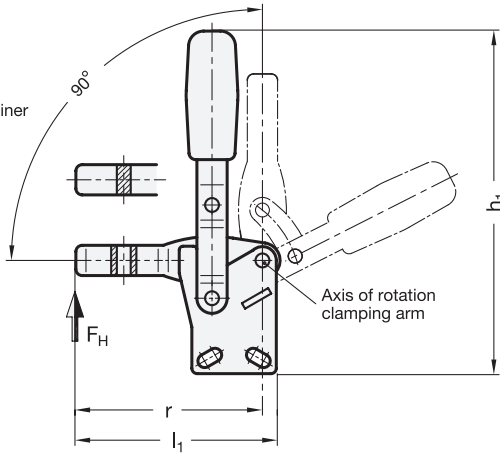


Type F  
with clamping bolt retainer  
for welding



Type B  
with two stepped  
side washers



ROSLÖTTEN  
**Rostfrei** Inox  
Stainless  
Steel

**2 Type**

- B** forked clamping arm
- F** solid clamping arm

**1**

Size	F <sub>H</sub> in N Holding force	a ≈	b <sub>1</sub>	b <sub>2</sub>	b <sub>3</sub>	b <sub>4</sub>	d <sub>1</sub>	d <sub>2</sub> ≈	h <sub>1</sub> ≈	h <sub>2</sub>	h <sub>3</sub>
75	900	20	29	8	4	5,2	M 5	4,5	109	32	11
130	1600	28	35	10	5	6,2	M 6	5,5	156	42,5	16
230	2200	40	43	12	6	8,5	M 8	6,5	183	48	18

Size	h <sub>4</sub>	l <sub>1</sub> ≈ Type B	Type F	l <sub>2</sub> ≈	l <sub>3</sub> max.	m <sub>1</sub>	m <sub>2</sub>	m <sub>3</sub>	m <sub>4</sub>	r ≈	s
75	21	66,5	67	31,5	41	15	16	5	5	62,5	4
130	26,5	85	86	42	54	12,5	19	6,5	7,5	79	5
230	31	110,5	112	58	73	19	20	6,5	6,5	104	6

**Specification**

- Stainless Steel AISI 304 **NI**
- all moving parts lubricated with special grease
- solid moulded plastic handle sleeve red, oil resistant
- *Stainless Steel characteristics* → Page 1144
- **RoHS compliant**

**Accessory**

- Clamping bolts → Page 765

**3**

**Information**

Stepped side washers respectively clamping bolt retainers are included.

see also...

- *General information to toggle clamps* → Page 676
- *Vertical clamps GN 810.1 (Steel, zinc plated)* → Page 682

How to order

**GN810.1-125-F-NI**

- |   |          |
|---|----------|
| 1 | Size     |
| 2 | Type     |
| 3 | Material |

