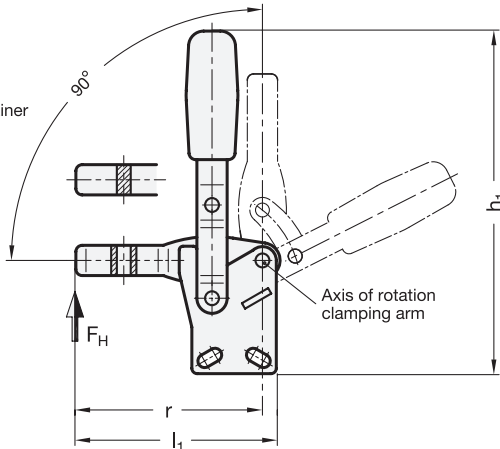


Type F  
with clamping bolt retainer  
for welding



Type B  
with two stepped  
side washers



**2 Type**

- B** forked clamping arm
- F** solid clamping arm

**1**

Size	F <sub>H</sub> in N Holding force	a ≈	b <sub>1</sub>	b <sub>2</sub>	b <sub>3</sub>	b <sub>4</sub>	d <sub>1</sub>	d <sub>2</sub> ≈	h <sub>1</sub> ≈	h <sub>2</sub>	h <sub>3</sub>
75	900	20	29	8	4	5,2	M 5	4,5	109	32	11
130	1600	28	35	10	5	6,2	M 6	5,5	156	42,5	16
230	2200	40	43	12	6	8,5	M 8	6,5	183	48	18
330	2700	43	50	14	7	10,5	M 10	8,5	218	66,5	22
430	3000	64	58	18	10	12,5	M 12	8,5	268	77,5	26
530	4600	90	77	18	10	12,5	M 12	12,5	337	117,5	32

Size	h <sub>4</sub>	l <sub>1</sub>		l <sub>2</sub> ≈	l <sub>3</sub> max.	m <sub>1</sub>	m <sub>2</sub>	m <sub>3</sub>	m <sub>4</sub>	r ≈	s
		Type B	Type F								
75	21	66,5	67	31,5	41	15	16	5	5	62,5	4
130	26,5	85	86	42	54	12,5	19	6,5	7,5	79	5
230	31	110,5	112	58	73	19	20	6,5	6,5	104	6
330	38	129	130,5	66	86	28,7	32,3	10	9,5	122	7
430	45	164	166	88	114	32	32	10	10	156	10
530	51	223	225	128	155	50	51	12,5	12,5	212	10

**Specification**

- Parts in sheet metal  
Case hardening steel C 10  
zinc plated, blue passivated
- Bearing pins tempered
- Bearing rivets (from size 200 upwards)  
case hardened
- all moving parts  
lubricated with special grease
- solid moulded plastic handle sleeve  
red, oil resistant
- **RoHS compliant**

**Accessory**

- Clamping bolts → Page 765
- Holders for clamping bolts GN 809  
(for type F) → Page 770
- Holders for clamping bolts GN 801  
(for type B) → Page 771

**Information**

Stepped side washers respectively clamping bolt retainers are included.

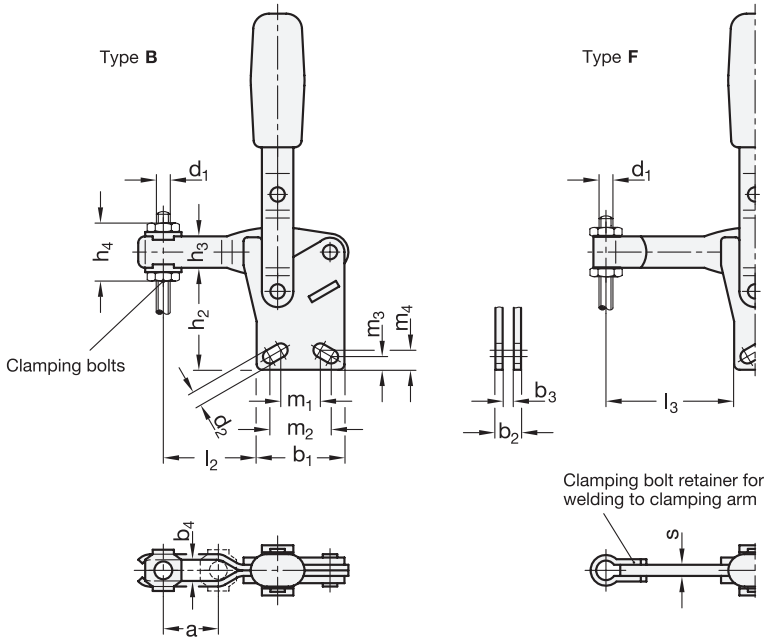
see also...

- General information to toggle clamps → Page 676
- Stainless Steel-Vertical clamps GN 810.1 → Page 684
- Vertical clamps GN 910.1 („Longlife“) → Page 688

How to order

**GN810.1-125-B**

- |   |      |
|---|------|
| 1 | Size |
| 2 | Type |



2.1  
2.2  
2.3  
**2.4**  
2.5  
2.6  
2.7  
2.8  
2.9  
⚗

