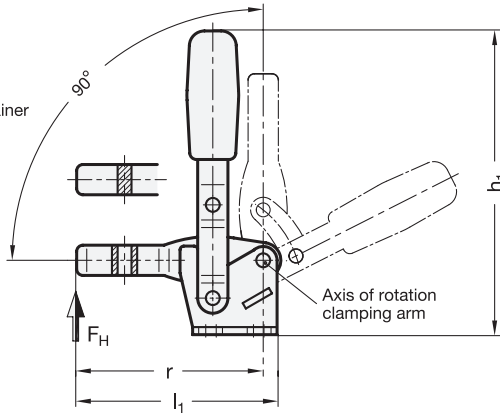


Type E
with clamping bolt retainer
for welding



Type A
with two stepped
side washers



ROSLÖTTEN 10
Rostfrei 10
Inox
Stainless
Steel

2 Type

- A** forked clamping arm
- E** solid clamping arm

1

Size	F _H in N Holding force	a ≈	b ₁	b ₂	b ₃	d ₁	d ₂ ≈	h ₁ ≈	h ₂	h ₃	h ₄
75	900	20	29	34	5,2	M 5	4,5	98	20,5	11	21
130	1600	28	35	42	6,2	M 6	5,5	142	28	16	26,5
230	2200	40	43	45	8,5	M 8	6,5	168	33,5	18	31

Size	l ₁ ≈ Type A	Type E	l ₂ ≈	l ₃ max.	m ₁	m ₂	m ₃	m ₄	r ≈	s ₁	s ₂
75	66,5	67	31,5	41	15	16	24	24	62,5	2	4
130	85	86	42	54	12,5	19	27	29	79,5	2,5	5
230	110,5	112	58	73	19	20	32	32	104	3	6

Specification

- Stainless Steel AISI 304 **NI**
- all moving parts lubricated with special grease
- solid moulded plastic handle sleeve red, oil resistant
- *Stainless Steel characteristics* → Page 1144
- **RoHS compliant**

Accessory

- Clamping bolts → Page 765

3

Information

Stepped side washers respectively clamping bolt retainers are included.

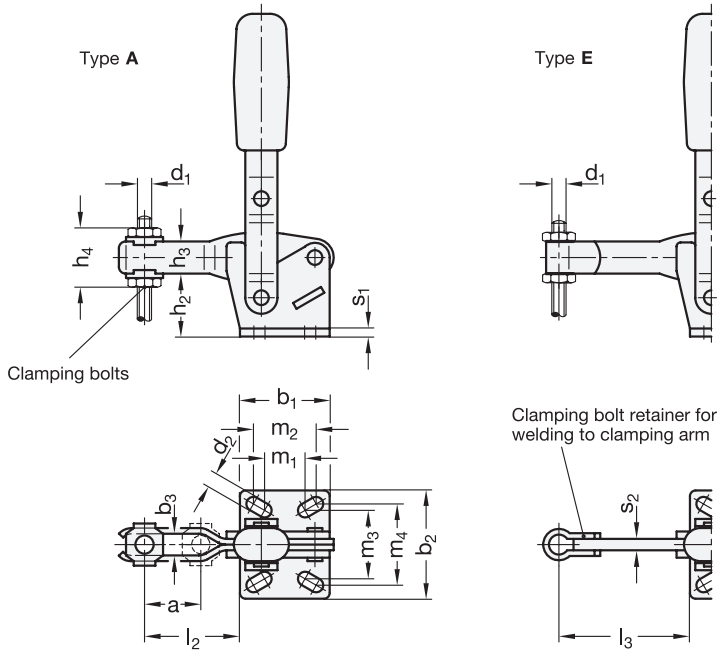
see also...

- *General information to toggle clamps* → Page 676
- *Vertical clamps GN 810 (Steel, zinc plated)* → Page 678

How to order

GN810-70-A-NI

- 1** Size
- 2** Type
- 3** Material



2.1
2.2
2.3
2.4
2.5
2.6
2.7
2.8
2.9
☞

