

# MRX-SST

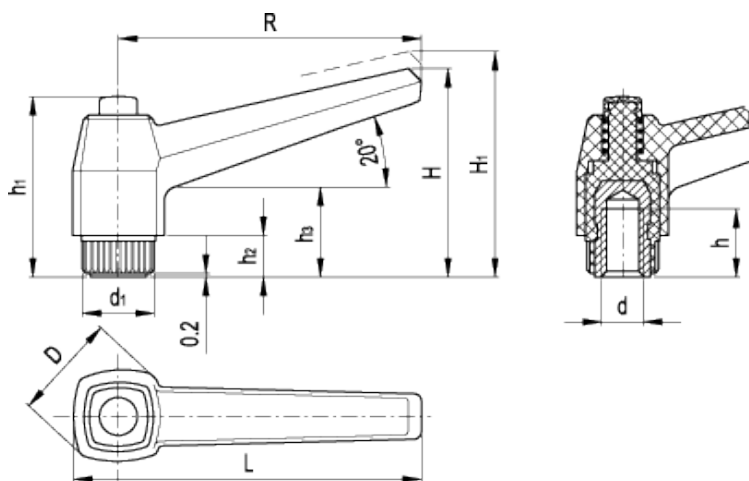
Adjustable handles



ELESA Original design



INOX  
Stainless Steel



## technical informations

### Lever body

Glass-fibre reinforced polyamide based (PA) technopolymer. Resistant to solvents, oils, greases and other chemical agents.

### Colour

Black, matte finish.

### Push button

Technopolymer, black colour, matte finish.

### Clamping element with retaining pin

Glass-fibre reinforced technopolymer, black colour, with knurling on the protruding part to make initial tightening easier. AISI 302 stainless steel return spring.

### Assembly

AISI 303 stainless steel boss, tapped blind hole.

*Special executions on request (For sufficient quantities)*

Lever body in RAL 2004 orange, RAL 6011 green, RAL 7031 grey.

### Features and applications

Particularly suitable when the lever turning angle is limited owing to lack of space.

Compared to other types of adjustable handles with metal retaining screw this solution offers:

- absolute electric insulation for the operator's hand
- more comfortable lever release.

AISI 303 stainless steel, thanks to its high resistance to corrosion, allows the application of these adjustable handles on machines and equipment in those sectors where laws or particular hygienic, climatic and environmental factors make it mandatory to use corrosion resistant materials.

### Stress resistance

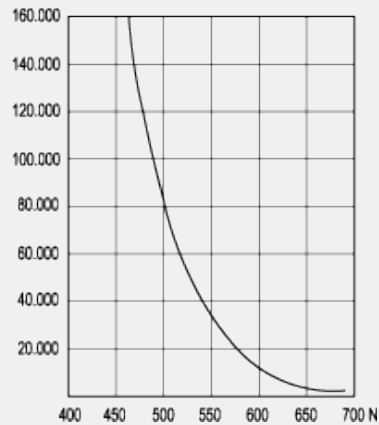
Adjustable handles are generally used for repetitive clamping operations sometimes with very high-frequency.

Therefore, the stress resistance (i.e. the resistance to repeated tightening cycles) of the handle unit is particularly important and, especially, the strength of the toothed element which transmits the tightening force from the handle to the threaded element (boss or stud).

In fact, the results of several laboratory tests, performed with a special instrument that simulates the most severe use conditions, have shown that e.g. MRX.80 S-INOX adjustable handle can withstand without yielding more than 100,000 tightening cycles, under the action of a force of 490 N (see graphic).

The special glass-fibre reinforced technopolymer enables the ELESA adjustable handles to guarantee stress resistance values which are much higher than the ones generated under normal working conditions.

NUMBER OF TIGHTENINGS



### Instructions of use

For clamping, lift the lever to disengage the clamping device toothing and bring it back to start position. By releasing the lever, the return spring automatically engages the toothing.

Standard Elements		Main dimensions									Mounting hole		Teeth no.	Weight
Code	Description	R	L	D	H	H <sub>1</sub>	h <sub>1</sub>	h <sub>2</sub>	h <sub>3</sub>	d <sub>1</sub>	d <sub>6H</sub>	h	z	g
141185	MRX.40-SST-M5	42	50	18	32	35.5	29	6	14	12	M5	6	18	14
141191	MRX.40-SST-M6	42	50	18	32	35.5	29	6	14	12	M6	10	18	12
141423	MRX.63-SST-M6	63	73	23	43	46.5	37	8	17	15	M6	12	20	24
141425	MRX.63-SST-M8	63	73	23	43	46.5	37	8	17	15	M8	13	20	22
142155	MRX.80-SST-M8	80	92	28	54	58.5	47	10	22	19	M8	13	24	44
142161	MRX.80-SST-M10	80	92	28	54	58.5	47	10	22	19	M10	17	24	42
142561	MRX.100-SST-M12	100	114	33	65	69.5	54	12	25	25	M12	20	28	75

This product had the following design awards:



ELESA and GANTER models all rights reserved in accordance with the law. Always mention the source when reproducing our drawings.

**STANDARD MACHINE ELEMENTS WORLDWIDE**