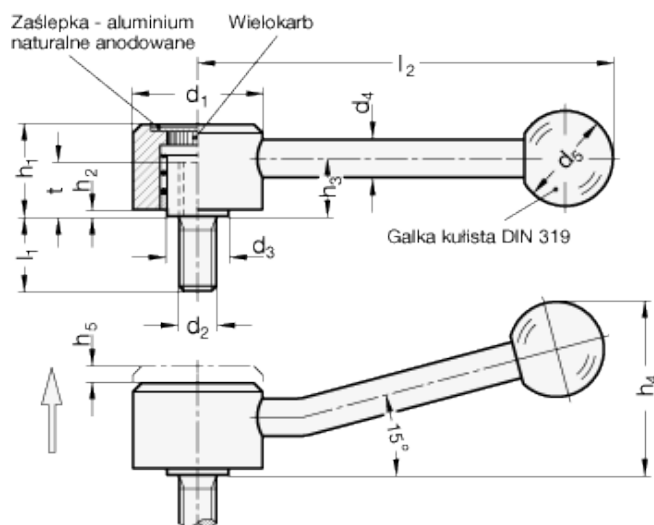


GN 125.5

Flat adjustable tension levers



INOX
Stainless Steel



technical informations

Lever body

AISI 303 stainless steel, matte shot-blasted.

- Type D: straight lever.
- Type E: angled lever

Handle

Phenolic based (PF) Duroplast, black colour, glossy finish type [DIN 319](#).
Resistant to solvents, oils, greases and other chemical agents.

Clamping element

AISI 303 stainless steel with threaded hole and toothed element for coupling to the lever body, treated steel return spring.

Hub cap

Anodised aluminium, natural colour.

Features and applications

The overall height of Stainless Steel-tension levers GN 125.5 is reduced to a minimum.

As all other adjustable levers, they are ideal whenever parts have to be clamped in a confined space, or a particular lever position is required. The threaded insert is connected with the hub via serrations which can be disengaged.

Pulling the lever, disengages the serrations and the lever can be swivelled to the ideal clamping position. On releasing the lever it will automatically re-engage.

Instructions

For clamping, lift the lever to disengage the clamping device toothing and bring it back to start position. By releasing the lever, the return spring automatically engages the toothing.

Standard Elements	Main dimensions										Thread		Weight
Description	d ₁	d ₃	d ₄	d ₅	h ₁	h ₂	h ₃	h ₄ ≈	h ₅	l ₂	d ₂	l ₁	g
GN 125.5-32-M8-12-*	32	13.5	8	20	20.5	1.5	12.5	36	4	100	M8	12	155
GN 125.5-32-M8-16-*	32	13.5	8	20	20.5	1.5	12.5	36	4	100	M8	16	160
GN 125.5-32-M8-20-*	32	13.5	8	20	20.5	1.5	12.5	36	4	100	M8	20	160
GN 125.5-32-M8-25-*	32	13.5	8	20	20.5	1.5	12.5	36	4	100	M8	25	159
GN 125.5-32-M8-32-*	32	13.5	8	20	20.5	1.5	12.5	36	4	100	M8	32	160
GN 125.5-32-M8-40-*	32	13.5	8	20	20.5	1.5	12.5	36	4	100	M8	40	160
GN 125.5-32-M8-50-*	32	13.5	8	20	20.5	1.5	12.5	36	4	100	M8	50	180
GN 125.5-36-M10-16-*	36	16	10	25	24.5	2	15	45	4.5	120	M10	16	240
GN 125.5-36-M10-20-*	36	16	10	25	24.5	2	15	45	4.5	120	M10	20	248
GN 125.5-36-M10-25-*	36	16	10	25	24.5	2	15	45	4.5	120	M10	25	140
GN 125.5-36-M10-32-*	36	16	10	25	24.5	2	15	45	4.5	120	M10	32	255
GN 125.5-36-M10-40-*	36	16	10	25	24.5	2	15	45	4.5	120	M10	25	260
GN 125.5-36-M10-50-*	36	16	10	25	24.5	2	15	45	4.5	120	M10	50	264
GN 125.5-36-M10-63-*	36	16	10	25	24.5	2	15	45	4.5	120	M10	63	267
GN 125.5-36-M10-80-*	36	16	10	25	24.5	2	15	45	4.5	120	M10	80	260
GN 125.5-40-M12-25-*	40	19	12	30	30	4	19	53	4.5	130	M12	25	369
GN 125.5-40-M12-32-*	40	19	12	30	30	4	19	53	4.5	130	M12	32	370
GN 125.5-40-M12-40-*	40	19	12	30	30	4	19	53	4.5	130	M12	40	380
GN 125.5-40-M12-50-*	40	19	12	30	30	4	19	53	4.5	130	M12	50	380
GN 125.5-40-M12-63-*	40	19	12	30	30	4	19	53	4.5	130	M12	63	400
GN 125.5-40-M12-80-*	40	19	12	30	30	4	19	53	4.5	130	M12	80	420
GN 125.5-45-M16-32-*	45	23	12	32	35.5	4	24	64	5	145	M16	32	540
GN 125.5-45-M16-40-*	45	23	12	32	35.5	4	24	64	5	145	M16	40	550
GN 125.5-45-M16-50-*	45	23	12	32	35.5	4	24	64	5	145	M16	50	570
GN 125.5-45-M16-63-*	45	23	12	32	35.5	4	24	64	5	145	M16	63	595
GN 125.5-45-M16-80-*	45	23	12	32	35.5	4	24	64	5	145	M16	80	605

* Complete the description of the standard item needed by adding the version of the lever: D (straight lever) or E (angled lever).

