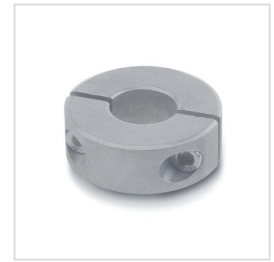
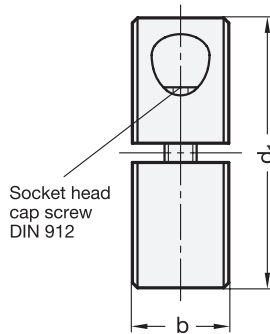
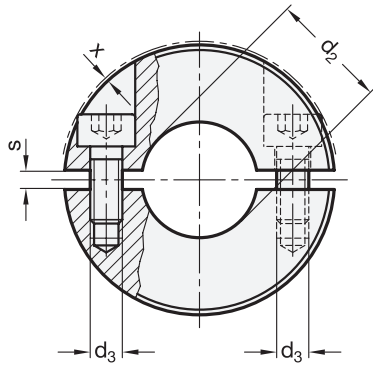


2.1
2.2
2.3
2.4
2.5
2.6
2.7
2.8
2.9



Rostfrei ROESTFREI
Inox
Stainless
Steel

d₁	d₂ H10 recommended shaft tolerance h11		b ±0,2	d₃	s	x ≈ Protrusion of cap thread
20	B 6	-	9	M 3	2,1	1,2
22	B 8	-	9	M 3	2,1	1
26	B 10	-	11	M 4	2,1	1,6
30	B 12	-	11	M 4	2,1	0,7
32	B 14	-	11	M 4	2,1	0,7
36	B 15	B 16	13	M 5	2,1	1,4
42	B 18	B 20	15	M 5	3	0,6
48	B 22	B 25	15	M 5	3	0
55	B 28	B 30	15	M 6	3	0,5
60	B 32	B 35	15	M 6	4	0,4
65	B 40	-	15	M 6	4	0,5

Specification

- **Steel** **ST**
 - Sintered Steel (Distaloy AB)
 - black oxidised with vapor
 - Socket head cap screw DIN 912 Steel, blank
 - **Stainless Steel (Sintered Steel)** **NI**
 - AISI 316L
 - Socket head cap screw DIN 912 Stainless Steel AISI 304
 - **Aluminium** **AL**
 - ground
 - Socket head cap screw DIN 912 Stainless Steel AISI 304
- ISO-Fundamental Tolerances → Page 1132
• RoHS compliant

3

Information

Split set collars GN 707.2 are used when the latter cannot be slipped over a shaft.
For size $d_1 = 20$ to 36 d_3 is a through hole; starting from $d_1 = 42$ d_3 is a threaded blind bore.
These set collars not only serve as an end stop, but they can also be used for fixing or triggering other components such as end limit switches.

Steel-Split set collar	1 d_1
GN 707.2-65-B40-ST	2 d_2
	3 Material

Stainless Steel-Split set collar	1 d_1
GN 707.2-22-B8-NI	2 d_2
	3 Material