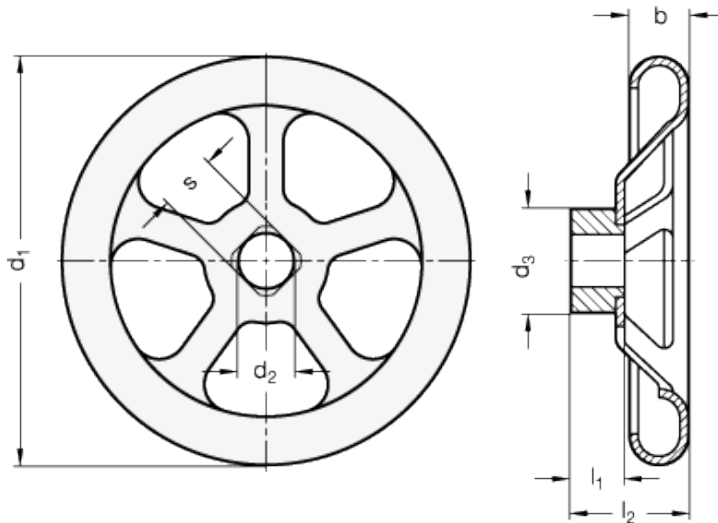


# GN 227.4

Pressed steel spoked handwheels



INOX  
Stainless Steel



## technical informations

### Material

AISI 316L pressed stainless steel A4, matt shot-blasted.

### Assembly

- Version B: without keyway, welded hub, H9 reamed through hole.
- Version K: with keyway, welded hub, H9 reamed through hole
- Version V: with square, welded hub, H11 square through hole.

### Wheel body

Pressed Stainless Steel.

### Features and applications

The hub lengths of the pressed Stainless Steel-Handwheels GN 227.4 conform to DIN 950.  
 Stainless Steel-Handwheels GN 227.4 are renowned for their high mechanical strength. They are not affected by shock and knocks.  
 Stainless Steel-Handwheels GN 227.4 (A4 quality) are only available in type A (without handle).

Standard Elements	Main dimensions				Mounting hole			Spokes no.	Thickness of pressed stainless steel	Weight
Description	d <sub>1</sub>	d <sub>3</sub>	b	l <sub>2</sub> ≈	d <sub>2 H9</sub>	s <sub>H11</sub>	l <sub>1</sub>			g
GN 227.4-160-B12-A	160	30	22	39	B 12	-	20	4	2	430
GN 227.4-160-K12-A	160	30	22	39	K 12	-	20	4	2	425
GN 227.4-160-V12-A	160	30	22	39	-	V 12	20	4	2	428
GN 227.4-200-B14-A	200	40	22	44	B 14	-	24	4	2.5	824
GN 227.4-200-K14-A	200	40	22	44	K 14	-	24	4	2.5	824
GN 227.4-200-V14-A	200	40	22	44	-	V 14	24	4	2.5	824
GN 227.4-250-B17-A	250	45	30	52	B 17	-	28	5	3	1477
GN 227.4-250-K17-A	250	45	30	52	K 17	-	28	5	3	1465
GN 227.4-250-V17-A	250	45	30	52	-	V 17	28	5	3	1465
GN 227.4-315-B19-A	315	55	36	64	B 19	-	33	5	3	2330
GN 227.4-315-K19-A	315	55	36	64	K 19	-	33	5	3	2500
GN 227.4-315-V19-A	315	55	36	64	-	V19	33	5	3	2100
GN 227.4-400-B24-A	400	65	43	81	B 24	-	38	5	3	4210
GN 227.4-400-K24-A	400	65	43	81	K 24	-	38	5	3	3900
GN 227.4-400-V24-A	400	65	43	81	-	V 24	38	5	3	4180



ELESA and GANTER models all rights reserved in accordance with the law. Always mention the source when reproducing our drawings.

STANDARD MACHINE ELEMENTS WORLDWIDE