

ELC.

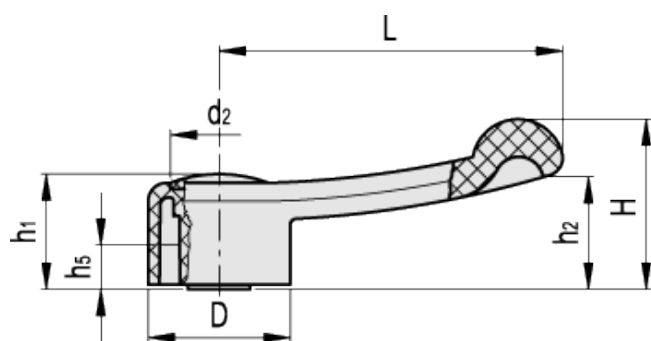
Control levers



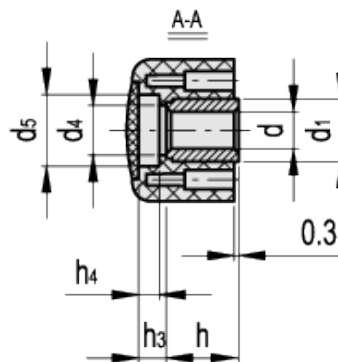
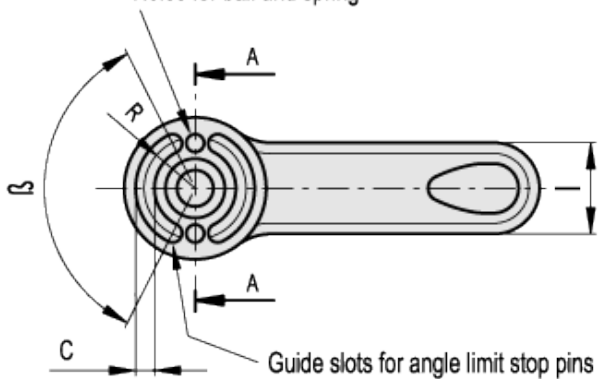
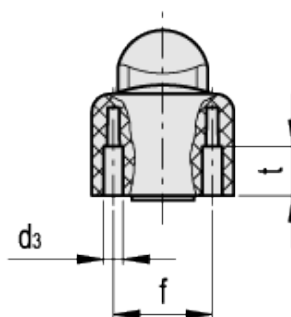
ELESA Original design

INOX
Stainless Steel

ERGOSTYLE®



Holes for ball and spring



technical informations

Material

Glass-fibre reinforced polyamide based (PA) technopolymer. Resistant to solvents, oils, greases and other chemical agents.

Colour

Grey-black, matte finish.

Boss cap

Technopolymer, matte finish, push-fit assembly, removable by a screwdriver, included in the supply. Available also as accessory sold separately (see table).

Standard executions

- ELC: black-oxide steel boss, H7 reamed hole, cap in the Ergostyle colours.
- ELC-FC3: black-oxide steel boss, H7 reamed hole, cap in RAL 7035 light grey colour, with arrow indicator.
- ELC-SST: AISI 303 stainless steel boss, H7 reamed hole, cap in the Ergostyle colours.
- ELC-SST-FC3: AISI 303 stainless steel boss, H7 reamed hole, cap in RAL 7035 light grey colour, with arrow indicator.

Accessories on request

- Axial retaining washer type [GN 184](#).
- Ball and spring for clicking operation to be fitted into the two holes drilled at 180° (see ball and spring [MS.](#)).

Ergonomy

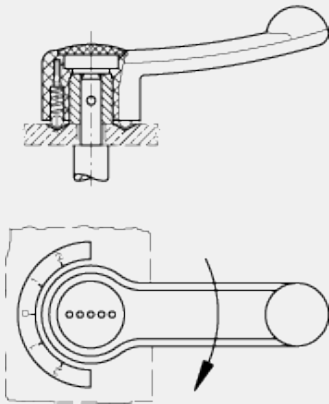
Rotations are performed smoothly and powerfully thanks to the heavy-duty arm of the lever, while the enlarged and sunken semispherical end offers an effective grip.

Manoeuvre angle limitation

A limited manoeuvre angle is possible by fitting stop pins in the rear guide slot.

Assembly example

by means of ball and spring for clicking operation



* Complete with colour index, example: 212121-C2 ELC.67 A-6-C2

C1 RAL7021
 C2 RAL2004
 C3 RAL7035
 C4 RAL1021
 C5 RAL5024
 C6 RAL3000

Standard Elements		Main dimensions																		Bore		Weight	
Code	Description	D	L	H	h ₁	h ₂	h ₃	h ₄	h ₅	d ₁	d ₂	d ₃	d ₄	d ₅	f	l	R	t	c	β	d _{H7}	h	g
212121-*	ELC.67 A-6-*	32	67	35	24	24	5	3	10	15	22.5	4	10	16	24	20	12	9	4	125±1°	6	16	50
212131-*	ELC.85 A-8-*	37	85	41	27	27	7.5	5	10	18	26	5	13.5	20	26	23	13.8	12.5	4.3	125±1°	8	17.5	63
212141-*	ELC.110 A-12-*	46	110	54	35	36	10	8	10	22	31.5	6	17	25.5	32	29	17.5	15.5	6.5	125±1°	12	22	129
212151-*	ELC.140 A-14-*	54	140	60	38	38	8.5	6	10	26	36	8	21	31	39	34	20.2	16	7	125±1°	14	27	145
212121-FC3	ELC.67 A-6-FC3	32	67	35	24	24	5	3	10	15	22.5	4	10	16	24	20	12	9	4	125±1°	6	16	50
212131-FC3	ELC.85 A-8-FC3	37	85	41	27	27	7.5	5	10	18	26	5	13.5	20	26	23	13.8	12.5	4.3	125±1°	8	17.5	63
212141-FC3	ELC.110 A-12-FC3	46	110	54	35	36	10	8	10	22	31.5	6	17	25.5	32	29	17.5	15.5	6.5	125±1°	12	22	129
212151-FC3	ELC.140 A-14-FC3	54	140	60	38	38	8.5	6	10	26	36	8	21	31	39	34	20.2	16	7	125±1°	14	27	145
Ergostyle		Main dimensions																		Bore		Weight	

Code	Description	D	L	H	h ₁	h ₂	h ₃	h ₄	h ₅	d ₁	d ₂	d ₃	d ₄	d ₅	f	l	R	t	c	β	d _{H7}	h	g
212161-*	ELC.67-SST-6-*	32	67	35	24	24	5	3	10	15	22.5	4	10	16	24	20	12	9	4	125±1°	6	16	50
212171-*	ELC.85-SST-8-*	37	85	41	27	27	7.5	5	10	18	26	5	13.5	20	26	23	13.8	12.5	4.3	125±1°	8	17.5	63
212181-*	ELC.110-SST-12-*	46	110	54	35	36	10	8	10	22	31.5	6	17	25.5	32	29	17.5	15.5	6.5	125±1°	12	22	129
212191-*	ELC.140-SST-14-*	54	140	60	38	38	8.5	6	10	26	36	8	21	31	39	34	20.2	16	7	125±1°	14	27	145
212161-FC3	ELC.67-SST-6-FC3	32	67	35	24	24	5	3	10	15	22.5	4	10	16	24	20	12	9	4	125±1°	6	16	50
212171-FC3	ELC.85-SST-8-FC3	37	85	41	27	27	7.5	5	10	18	26	5	13.5	20	26	23	13.8	12.5	4.3	125±1°	8	17.5	63
212181-FC3	ELC.110-SST-12-FC3	46	110	54	35	36	10	8	10	22	31.5	6	17	25.5	32	29	17.5	15.5	6.5	125±1°	12	22	129
212191-FC3	ELC.140-SST-14-FC3	54	140	60	38	38	8.5	6	10	26	36	8	21	31	39	34	20.2	16	7	125±1°	14	27	145

Code	Description	Code	Description	Boss cap for
29551-*	ECB.T1-*	29551-FC3	ECBF-T1-C3	ELC.67
29552-*	ECB.T2-*	29552-FC3	ECBF-T2-C3	ELC.85
29553-*	ECB.T3-*	29553-FC3	ECBF-T3-C3	ELC.110
29554-*	ECB.T4-*	29554-FC3	ECBF-T4-C3	ELC.140

* Complete with colour index (C1,.....,C6).

This product had the following design awards:



ELESA and GANTER models all rights reserved in accordance with the law. Always mention the source when reproducing our drawings.

STANDARD MACHINE ELEMENTS WORLDWIDE