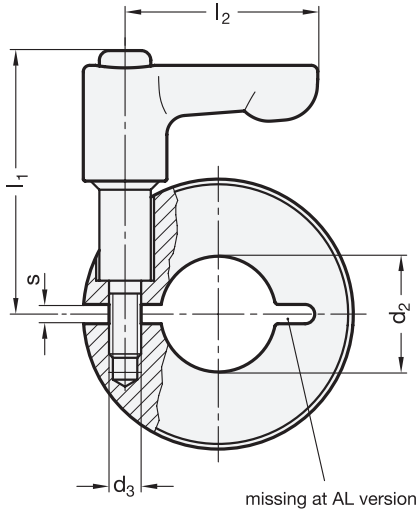


# GN 706.4

Steel / Stainless Steel / Aluminium

## Semi-split set collars

with adjustable hand lever



<b>d<sub>1</sub></b>	<b>d<sub>2</sub> H10</b> recommended shaft tolerance h11		<b>b ±0,2</b>	<b>d<sub>3</sub></b>	<b>d<sub>4</sub></b>	<b>l<sub>1</sub></b>	<b>l<sub>2</sub></b>	<b>s</b>
32	B 14	-	11	M 4	13	37	30	2,1
36	B 15	B 16	13	M 5	13	38,5	30	2,1
42	B 18	B 20	15	M 5	13	41	30	3
48	B 22	B 25	15	M 5	13	43	45	3
55	B 28	B 30	15	M 6	13	45	45	3
60	B 32	B 35	15	M 6	13	46,5	45	4
65	B 40	-	15	M 6	13	47,5	45	4

### Specification

- Steel **ST**  
Sintered Steel (Distaloy AB)  
black oxidised with vapor
- Stainless Steel (Sintered Steel) **NI**  
AISI 316L
- Aluminium **AL**  
ground
- Adjustable hand levers
  - Zinc die casting  
plastic coated  
black RAL 9005, textured finish
  - Screw insert and retaining screw  
Stainless Steel AISI 303
- ISO-Fundamental Tolerances → Page 1132
- Stainless Steel characteristics → Page 1144
- RoHS compliant



### Information

Semi-split set collars GN 706.4 can safely and simply be assembled i.e. with high clamping force without damaging the surface of the shaft.

For size  $d_1 = 32$  and  $36$ ,  $d_3$  is a through hole; starting from  $d_1 = 42$   $d_3$  is a threaded blind bore.

These set collars not only serve as an end stop, but they can also be used for fixing or triggering other components such as end limit switches.

How to order

**GN 706.4-36-B16-AL**

1	<b>d<sub>1</sub></b>
2	<b>d<sub>2</sub></b>
3	<b>Material</b>