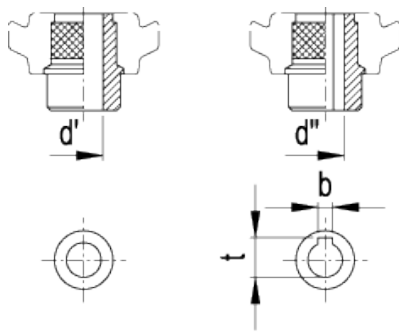
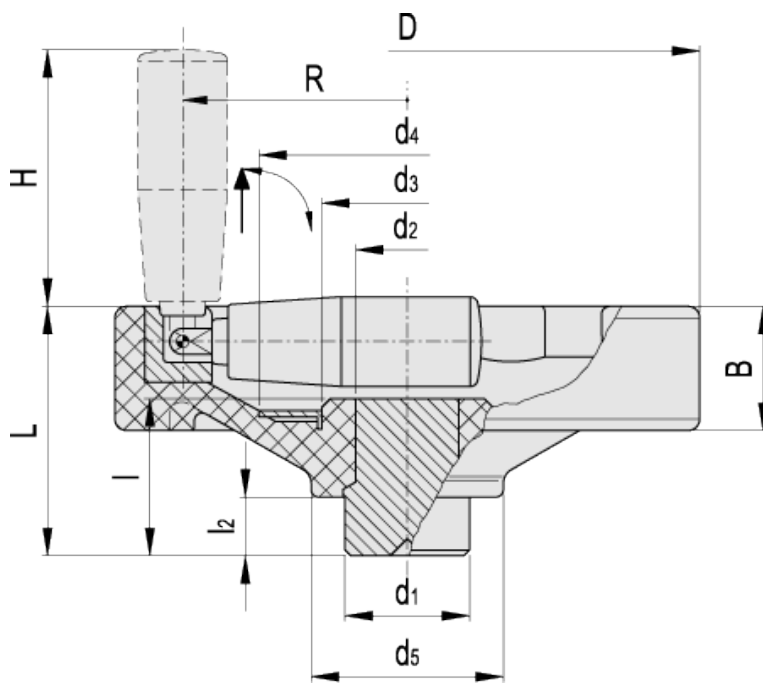


# VDO.FP+IR

Solid handwheels with fold-away handle



d' Max diameter permissible

d'' Max diameter for hole with keyway

Elesa Standards		Main dimensions										Handle		Max permissible holes				C #	L #	Weight
Code	Description	D	L	B	d <sub>1</sub>	d <sub>2</sub>	d <sub>3</sub>	d <sub>4</sub>	d <sub>5</sub>	l <sub>1</sub>	l <sub>2</sub>	H	R	d'	d''	t	b	[Nm]	[J]	g
71931	VDO.100 FP+IR	100	52	26	24	20	35	54	39	33	12	56	38	16	13	15.3	5	240	20	355

Elesa Standards		Main dimensions											Handle		Max permissible holes				C #	L #	Weight
Code	Description	D	L	B	d <sub>1</sub>	d <sub>2</sub>	d <sub>3</sub>	d <sub>4</sub>	d <sub>5</sub>	l	l <sub>2</sub>	H	R	d'	d''	t	b	[Nm]	[J]	g	
72021	VDO.125 FP+IR	125	60	30	32	24	44	70	46	38	15	65	47	20	16	18.3	5	450	28	590	
72121	VDO.150 FP+IR	150	63	32	32	24	44	70	48	38	15	65	58	20	16	18.3	5	480	30	780	
72221	VDO.175 FP+IR	178	65	32	40	31	55	90	56	43	15	90	66	26	22	24.8	6	730	40	1100	
72321	VDO.200 FP+IR	201	70	34	40	31	55	90	60	43	15	90	77	26	22	24.8	6	1060	42	1350	
72421	VDO.225 FP+IR	227	74	35	49	38	66	110	66	44	15	90	99	34	27	30.3	8	1340	45	1800	
72521	VDO.250 FP+IR	249	77	36	49	38	66	110	70	44	15	90	101	34	27	30.3	8	1700	46	1970	

# See [Technical Data](#) for maximum applicable torque (C) and impact strength (L).

#### Material

High-strength, reinforced phenolic based (PF) Duroplast. Resistant to solvents, oils, greases and other chemical agents.

#### Colour

Black, glossy finish.

#### Ring

Matte anodised aluminium (ELESA original design).

#### Standard execution

Black-oxide steel hub, uncovered front end, not drilled. See table for maximum permissible boring diameters d' and d".  
Fold-away handle [IR.407](#) in phenolic based (PF) Duroplast, black colour, glossy finish.

#### Accessories on request

Axial retaining washer type [GN 184](#) .

#### Special executions on request

VDO.FP+IR+W (for all models except VDO.100, VDO.125, VDO.150) with incorporated counterweights.

#### Ergonomy

The rim with front and rear scallops makes the grip and the manoeuvre of the handwheel easier.



STANDARD MACHINE ELEMENTS WORLDWIDE

ELESA models all rights reserved in accordance with the law. Always mention the source when reproducing our drawings.