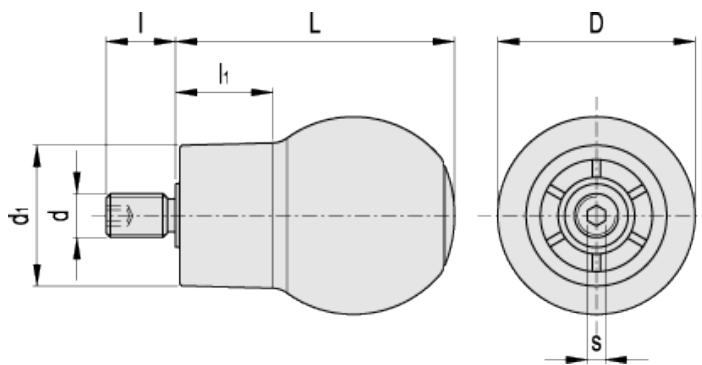


# EBS + x SOFT

## Two-volume revolving handle



ELESA Original design



Ergostyle		Main dimensions				Threaded shank			Weight
Code	Description	D	L	d <sub>1</sub>	l <sub>1</sub>	d <sub>6g</sub>	l	s	g
247051	EBS.48 SOFT+x-M10	48	66	35	23	M10	17	5	100

### Material

High-resilience polypropylene based (PP) technopolymer, coated with "soft-touch" thermoplastic elastomer (TPE) chemically bonded, hardness 70 Shore A.

The coating material is certified in compliance with FDA (U.S. Food and Drug Administration).

Resistant to solvents, oils, greases and other chemical agents.

### Colour

Black, matte finish.

### Standard execution

Zinc-plated steel shank, hexagon socket at threaded end.

### Features and applications

Handles coated with "soft-touch" elastomer: it improves the grip even in the presence of oils, greases and sweat from the hand. Particularly suitable for applications on fitness machines, tools and machines for gardening and goods transport, high-precision instruments and disability aids.



STANDARD MACHINE ELEMENTS WORLDWIDE

ELESA models all rights reserved in accordance with the law. Always mention the source when reproducing our drawings.