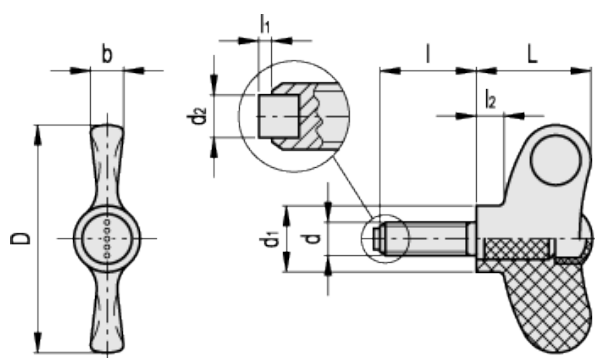


EWN-SST-p-P

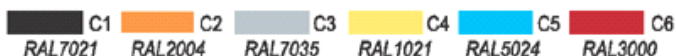
Wing screws with bolt



ELESA Original design



* Complete with colour index, example: 224556-C2 EWN.48-SST-p-M6x20-PO-C2



Ergostyle		Main dimensions					Threaded stud				Weight
Code	Description	D	L	d ₁	l ₂	b	d _{6g}	l	d ₂	l ₁	g
224556-*	EWN.48-SST-p-M6x20-PO-*	47	24	13.5	5.5	7	M6	20	4	1.5	13
224566-*	EWN.48-SST-p-M6x30-PO-*	47	24	13.5	5.5	7	M6	30	4	1.5	15
224646-*	EWN.55-SST-p-M8x20-PO-*	55	28	16	6.5	8	M8	20	5	1.8	23
224656-*	EWN.55-SST-p-M8x30-PO-*	55	28	16	6.5	8	M8	30	5	1.8	26
224676-*	EWN.70-SST-p-M10x20-PO-*	70	36	20	8	10	M10	20	6	2	41
224686-*	EWN.70-SST-p-M10x30-PO-*	70	36	20	8	10	M10	30	6	2	47

Ergostyle		Main dimensions					Threaded stud				Weight
Code	Description	D	L	d ₁	l ₂	b	d _{6g}	l	d ₂	l ₁	g
224576-*	EWN.48-SST-p-M6x20-PB-*	47	24	13.5	5.5	7	M6	20	4	1.5	14
224586-*	EWN.48-SST-p-M6x30-PB-*	47	24	13.5	5.5	7	M6	30	4	1.5	16
224661-*	EWN.55-SST-p-M8x20-PB-*	55	28	16	6.5	8	M8	20	5	1.8	24
224666-*	EWN.55-SST-p-M8x30-PB-*	55	28	16	6.5	8	M8	30	5	1.8	27
224691-*	EWN.70-SST-p-M10x20-PB-*	70	36	20	8	10	M10	20	6	2	42
224696-*	EWN.70-SST-p-M10x30-PB-*	70	36	20	8	10	M10	30	6	2	48

Code	Description	Cap for
29752-*	ECA.W2-*	EWN.48
29753-*	ECA.W3-*	EWN.55

* Complete with colour index (C1,.....,C6).

Material

Glass-fibre reinforced polyamide based (PA) technopolymer. Resistant to solvents, oils, greases and other chemical agents.

Colour

Grey-black, matte finish.

Cap

Technopolymer in Ergostyle colours, matte finish; supplied assembled, press-fit assembly, removable by a screwdriver. Available also as accessory sold separately (see table).

Standard executions

EWN-SST-p-PO: AISI 303 stainless steel threaded stud, chamfered end with acetal resin (POM) bolt.

EWN-SST-p-PB: AISI 303 stainless steel threaded stud, chamfered end with brass bolt.

Features and applications

The chamfered end with bolt avoids to damage the surface of contact even in case of strong clamping.

Standard executions either with brass or acetal resin bolt.

Ergonomy and design

The slightly concave marks on the wings help to position the fingers in order to apply the maximum force when tightening.



STANDARD MACHINE ELEMENTS WORLDWIDE

ELESA models all rights reserved in accordance with the law. Always mention the source when reproducing our drawings.