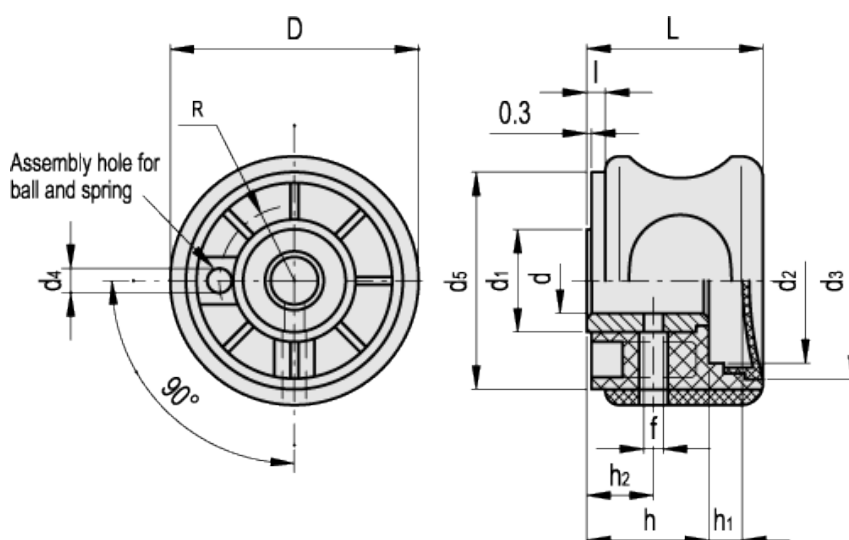


# EGK.SOFT

## Grip knobs



ELESA Original design



\* Complete with colour index, example: 215161-C2 EGK.50 A-10-C2



Ergostyle		Main dimensions													Bore		Weight
Code	Description	D	L	I	d <sub>1</sub>	d <sub>2</sub>	d <sub>3</sub>	d <sub>4</sub>	d <sub>5</sub>	h <sub>1</sub>	h <sub>2</sub>	f	R	d <sub>H7</sub>	h	g	
215161-*	EGK.50 A-10-*	50	38	3.5	22	28	40	4.2	43	12	14	4	15	10	22	95	
215181-*	EGK.63 A-12-*	63	44	3.5	26	42	49.5	6.2	55	9	16	5	19	12	30	185	
Ergostyle		Main dimensions													Bore		Weight
Code	Description	D	L	I	d <sub>1</sub>	d <sub>2</sub>	d <sub>3</sub>	d <sub>4</sub>	d <sub>5</sub>	h <sub>1</sub>	h <sub>2</sub>	f	R	d <sub>H7</sub>	h	g	
215189-*	EGK.50-SST-6-*	50	38	3.5	22	28	40	4.2	43	12	14	4	15	6	22	100	
215191-*	EGK.50-SST-8-*	50	38	3.5	22	28	40	4.2	43	12	14	4	15	8	22	97	
215196-*	EGK.63-SST-10-*	63	44	3.5	26	42	49.5	6.2	55	9	16	5	19	10	30	180	
Code	Description	Closing cap for															
29672-*	ECB.G2-*	EGK.50															
29673-*	ECB.G3-*	EGK.63															

\* Complete with colour index (C1,.....C6).

High-resilience technopolymer coated with "soft-touch" thermoplastic elastomer (TPE). Resistant to solvents, oils, greases and other chemical agents.

Colour  
Grey-black, matte finish.

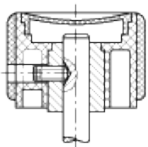
Closing cap  
Glass-fibre reinforced polyamide based (PA) technopolymer, in the Ergostyle colours, matte finish. Supplied, push-fit assembly, removable by a screwdriver.  
Available also as accessory sold separately (see closing cap table).

Standard executions  
Assembly by means of a keyway or a transversal pin in the semi-machined hole f or a set screw (redrill and tap hole f).  
- EGK: black-oxide steel boss, H7 reamed hole.  
- EGK-SST: AISI 303 stainless steel boss, H7 reamed hole.

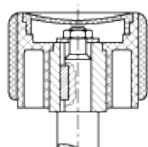
*Accessories on request*  
Ball and spring for clicking operation to be fitted in the assembly hole (see ball and spring [MS](#)).

*Features and applications*  
The special four-concave-mark shape of the knob and the "soft-touch" elastomer coating allow the best grip during clicking operation even in the presence of oils, grease and sweat from the hand. Particularly suitable for fitness machines, disability aids, tools and machines for gardening and high-precision instruments.

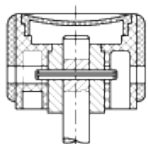
### Assembly examples



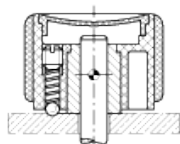
Assembly by means of a set screw



Assembly by means of a keyway



Assembly by means of a transversal pin



Assembly by means of a transversal pin and ball with adjustable pressure spring



STANDARD MACHINE ELEMENTS WORLDWIDE

ELESA models all rights reserved in accordance with the law. Always mention the source when reproducing our drawings.