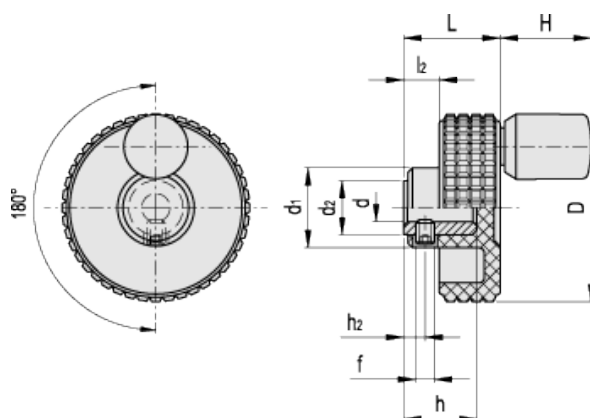


MBT + I

Diamond cut
knurled knobs
with revolving handle



ELESA Original design



Elesa Standards		Main dimensions							Mounting hole		Handle	Weight
Code	Description	D	L	d ₁	d ₂	l ₂	h ₂	f	d _{H9}	h	H	g
34398	MBT.40+I B-6	40	20	17	14	7	4	M4	6	15	19	35
34498	MBT.50+I B-6	50	25	20	14	8	5	M5	6	19	19	55
34598	MBT.60+I B-8	60	29	23	17	9	6	M5	8	22	23	75
34698	MBT.70+I B-10	70	30	24	16	10	6	M5	10	22	23	75
34798	MBT.85+I B-10	85	30.5	29	16	10.5	6	M5	10	22	23	83
34898	MBT.100+I B-10	100	31	35	16	11	6	M5	10	22	23	98

Material

High-resilience polypropylene based (PP) technopolymer. Resistant to solvents, oils, greases and other chemical agents.

Colour

Black, matte finish.

Revolving handle

Type [1.701+x](#), polyamide based (PA) technopolymer, black colour, matte finish.

Standard execution

Brass boss, plain blind hole. Assembly by means of a supplied transversal grub screw UNI 5929-85 (grub screw with hexagon socket and cup end).



STANDARD MACHINE ELEMENTS WORLDWIDE

ELESA models all rights reserved in accordance with the law. Always mention the source when reproducing our drawings.