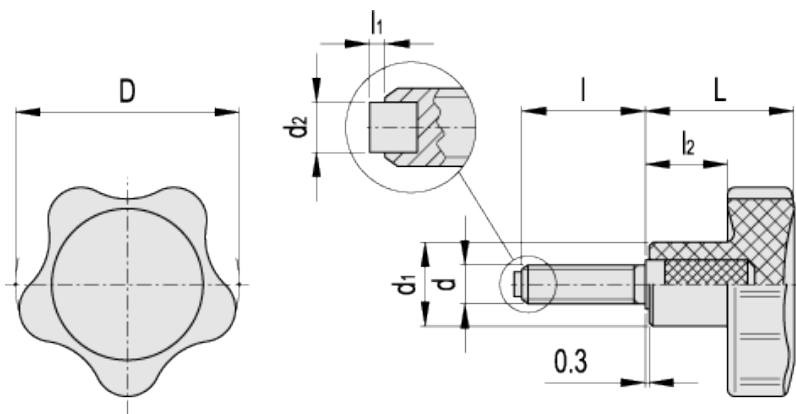


VC.692-SST-p-P

Lobe knobs with bolt



ELESA Original design



Elesa Standards		Main dimensions				Threaded stud				Weight
Code	Description	D	L	d ₁	l ₂	d _{6g}	l	d ₂	l ₁	g
166282	VC.692/32-SST-p-M6x16-PO	32	22.5	14	12.5	M6	16	4	1.5	15
166283	VC.692/32-SST-p-M6x20-PO	32	22.5	14	12.5	M6	20	4	1.5	16
166284	VC.692/32-SST-p-M6x30-PO	32	22.5	14	12.5	M6	30	4	1.5	19
166401	VC.692/40-SST-p-M8x20-PO	40	26	15	14	M8	20	5	1.8	28
166403	VC.692/40-SST-p-M8x30-PO	40	26	15	14	M8	30	5	1.8	32
166405	VC.692/40-SST-p-M8x40-PO	40	26	15	14	M8	40	5	1.8	36
166511	VC.692/50-SST-p-M10x20-PO	50	31	18	17	M10	20	6	2	47
166513	VC.692/50-SST-p-M10x30-PO	50	31	18	17	M10	30	6	2	57
166515	VC.692/50-SST-p-M10x40-PO	50	31	18	17	M10	40	6	2	66

Elesa Standards		Main dimensions				Threaded stud				Weight
Code	Description	D	L	d ₁	l ₂	d _{6g}	l	d ₂	l ₁	g
166292	VC.692/32-SST-p-M6x16-PB	32	22.5	14	12.5	M6	16	4	1.5	16
166293	VC.692/32-SST-p-M6x20-PB	32	22.5	14	12.5	M6	20	4	1.5	17
166294	VC.692/32-SST-p-M6x30-PB	32	22.5	14	12.5	M6	30	4	1.5	20
166411	VC.692/40-SST-p-M8x20-PB	40	26	15	14	M8	20	5	1.8	29
166413	VC.692/40-SST-p-M8x30-PB	40	26	15	14	M8	30	5	1.8	33
166415	VC.692/40-SST-p-M8x40-PB	40	26	15	14	M8	40	5	1.8	37
166521	VC.692/50-SST-p-M10x20-PB	50	31	18	17	M10	20	6	2	48
166523	VC.692/50-SST-p-M10x30-PB	50	31	18	17	M10	30	6	2	58

Material

Glass-fibre reinforced polyamide based (PA) technopolymer. Resistant to solvents, oils, greases and other chemical agents.

Colour

Black, matte finish.

Standard executions

- VC.692-SST-p-PO: AISI 303 stainless steel threaded stud, chamfered end with acetal resin (POM) bolt.
- VC.692-SST-p-PB: AISI 303 stainless steel threaded stud, chamfered end with brass bolt.

Features and applications

The chamfered end with bolt avoids to damage the surface of contact even in case of strong clamping.
Standard executions either with brass or acetal resin bolt.



STANDARD MACHINE ELEMENTS WORLDWIDE

ELESA models all rights reserved in accordance with the law. Always mention the source when reproducing our drawings.