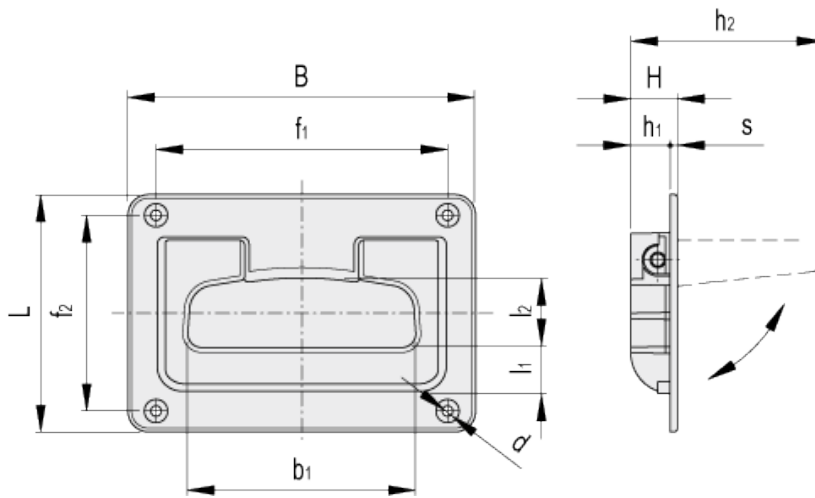


MPR

Folding handle with recessed tray and return spring



ELESA Original design



Elesa Standards		Main dimensions												F ₁	Weight
Code	Description	B	L	H	f ₁	f ₂	h ₁	h ₂	b ₁	l ₁	l ₂	s	d	[N]	g
43851	MPR.141	141	96	19	118	79	16	63	90	16.5	29	3	4.2	750	146

Material

Glass-fibre reinforced polyamide based (PA) technopolymer. Resistant to solvents, oils, greases and other chemical agents.

Colour

Black, matte finish.

Rotation pin and return springs

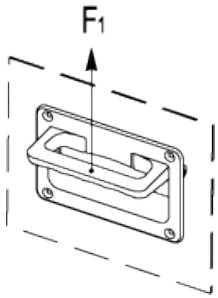
AISI 303 stainless steel pin, AISI 302 stainless steel springs.

Standard execution

Pass-through holes for M4 countersunk-head screws (not supplied).

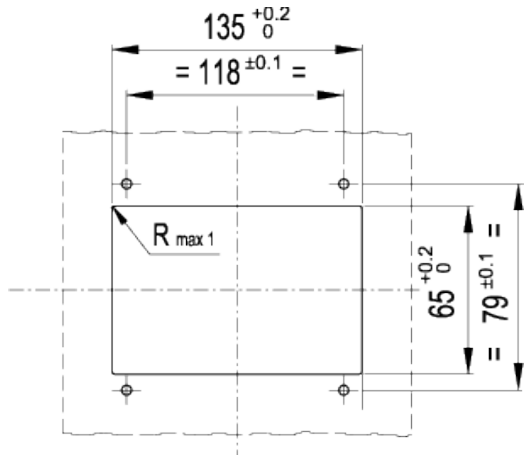
Technical data

The lifting resistance value (F₁) reported in the table is the result of breaking tests carried out with an appropriate dynamometric equipment under the test conditions shown in the figure with ambient temperature.



Assembly instructions

Drill holes in the sheet according to the drilling template reported in the table.



STANDARD MACHINE ELEMENTS WORLDWIDE

ELESA models all rights reserved in accordance with the law. Always mention the source when reproducing our drawings.