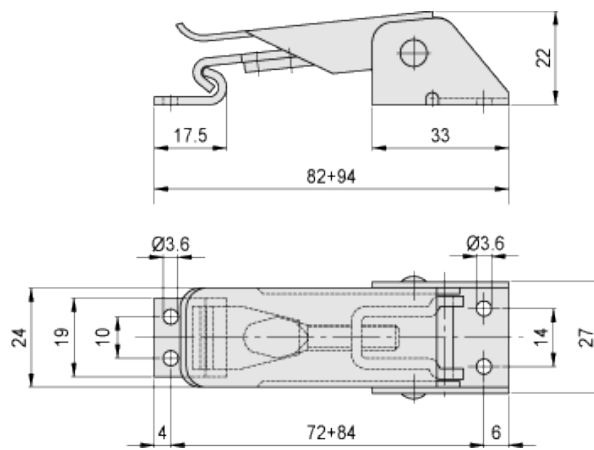


TLN.

Adjustable hook clamps

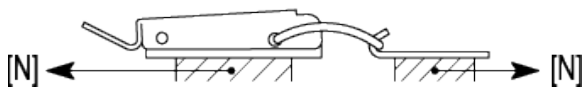


Elesa Standards		Maximum working load	Load at breakage	Weight
Code	Description	[N]	[N]	g
420161	TLN.Z-14/72-84+R	1000	2000	74

Lever body and hook clamp material
Zinc-plated steel.

Special executions on request
Nickel-plated steel hook clamps.

Radial strength tests



STANDARD MACHINE ELEMENTS WORLDWIDE

ELESA models all rights reserved in accordance with the law. Always mention the source when reproducing our drawings.