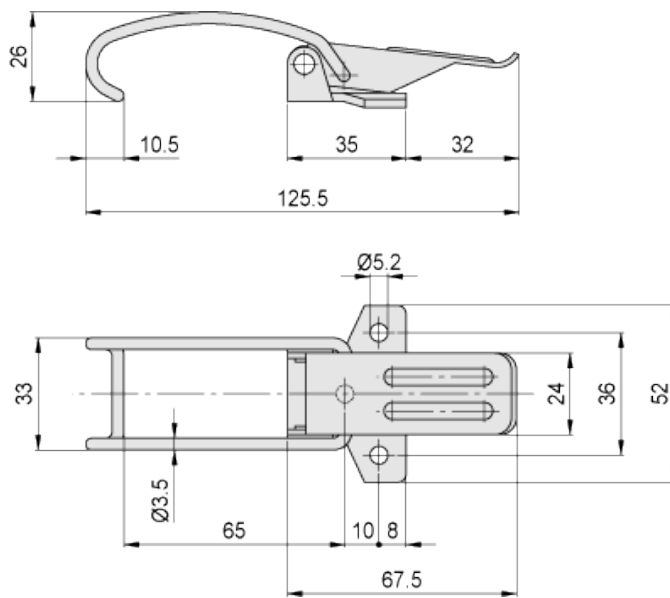


TLL.

Adjustable hook clamps



Elesa Standards		Maximum working load	Load at breakage	Weight
Code	Description	[N]	[N]	g
420141	TLL.Z-24/125	200	3500	77

Material
Zinc-plated steel.

Special executions on request
AISI 304 stainless steel adjustable hook clamps.

Radial strength tests



STANDARD MACHINE ELEMENTS WORLDWIDE

ELESA models all rights reserved in accordance with the law. Always mention the source when reproducing our drawings.