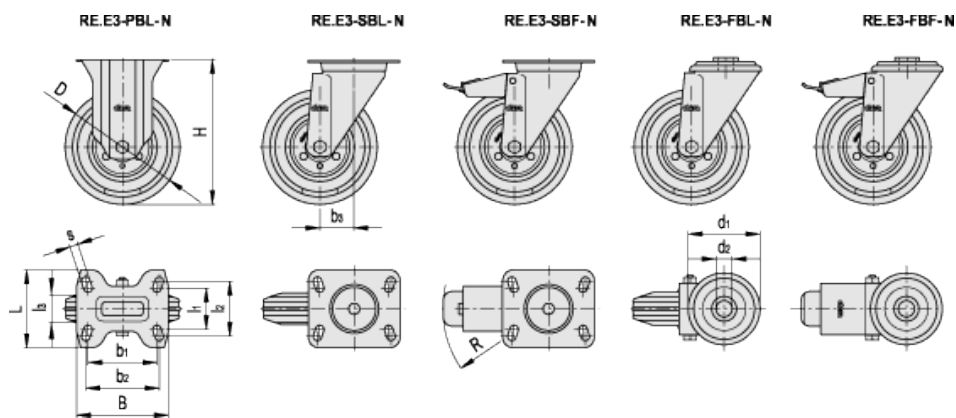


# RE.E3-N

Vulcanised rubber wheels with steel sheet bracket



Elesa Standards		Main dimensions													Rolling resistance #	Dynamic carrying capacity #	Weight		
Code	Description	D	l <sub>3</sub>	H	B	L	s	b <sub>1</sub>	l <sub>1</sub>	b <sub>2</sub>	l <sub>2</sub>	b <sub>3</sub>	R	d <sub>1</sub>	d <sub>2</sub>	[N]	[N]	g	
450151	RE.E3-080-PBL-N	80	25	107	100	85	9	75	45	80	60	-	-	-	-	600	650	490	
450156	RE.E3-100-PBL-N	100	30	128	100	85	9	75	45	80	60	-	-	-	-	750	800	620	
450161	RE.E3-125-PBL-N	125	37.5	156	100	85	9	75	45	80	60	-	-	-	-	850	1300	920	
450166	RE.E3-150-PBL-N	150	40	182	100	85	9	75	45	80	60	-	-	-	-	1000	1700	1220	
450171	RE.E3-200-PBL-N	200	50	240	140	114	11	105	73	105	85	-	-	-	-	1400	2300	2890	
450051	RE.E3-080-SBL-N	80	25	107	100	85	9	75	45	80	60	39	-	-	-	600	650	690	
450056	RE.E3-100-SBL-N	100	30	128	100	85	9	75	45	80	60	35	-	-	-	750	800	820	
450061	RE.E3-125-SBL-N	125	37.5	156	100	85	9	75	45	80	60	37	-	-	-	850	1300	1180	
450066	RE.E3-150-SBL-N	150	40	182	100	85	9	75	45	80	60	37	-	-	-	1000	1700	1400	
450071	RE.E3-200-SBL-N	200	50	240	140	110	11	105	73	105	87	56	-	-	-	1400	2300	3250	
450101	RE.E3-080-SBF-N	80	25	107	100	85	9	75	45	80	60	39	120	-	-	600	650	870	
450106	RE.E3-100-SBF-N	100	30	128	100	85	9	75	45	80	60	35	120	-	-	750	800	1000	
450111	RE.E3-125-SBF-N	125	37.5	156	100	85	9	75	45	80	60	37	120	-	-	850	1300	1300	
450116	RE.E3-150-SBF-N	150	40	182	100	85	9	75	45	80	60	37	120	-	-	1000	1700	1570	
450121	RE.E3-200-SBF-N	200	50	240	140	110	11	105	73	105	87	56	156	-	-	1400	2300	3390	
450201	RE.E3-080-FBL-N	80	25	107	-	-	-	-	-	-	-	-	39	-	73	12	600	650	610

Elesa Standards		Main dimensions												Rolling resistance #	Dynamic carrying capacity #	Weight		
Code	Description	D	l <sub>3</sub>	H	B	L	S	b <sub>1</sub>	l <sub>1</sub>	b <sub>2</sub>	l <sub>2</sub>	b <sub>3</sub>	R	d <sub>1</sub>	d <sub>2</sub>	[N]	[N]	g
450206	RE.E3-100-FBL-N	100	30	128	-	-	-	-	-	-	-	35	-	73	12	750	800	740
450211	RE.E3-125-FBL-N	125	37.5	156	-	-	-	-	-	-	-	37	-	73	12	850	1300	1090
450216	RE.E3-150-FBL-N	150	40	182	-	-	-	-	-	-	-	37	-	73	12	1000	1700	1350
450221	RE.E3-200-FBL-N	200	50	236	-	-	-	-	-	-	-	56	-	102	20	1400	2300	3160
450251	RE.E3-080-FBF-N	80	25	107	-	-	-	-	-	-	-	39	120	73	12	600	650	780
450256	RE.E3-100-FBF-N	100	30	128	-	-	-	-	-	-	-	35	120	73	12	750	800	940
450261	RE.E3-125-FBF-N	125	37.5	156	-	-	-	-	-	-	-	37	120	73	12	850	1300	1240
450266	RE.E3-150-FBF-N	150	40	182	-	-	-	-	-	-	-	37	120	73	12	1000	1700	1490
450271	RE.E3-200-FBF-N	200	50	236	-	-	-	-	-	-	-	56	156	102	20	1400	2300	3290

# See [Technical Data](#) for rolling resistance and dynamic carrying capacity.

#### Covering with tread

Vulcanised rubber; hardness 83 Shore A.

#### Wheel centre body

Consisting of two zinc-plated and riveted sheet disks.

#### Hub

Polyamide-based technopolymer (PA) boss. Resistant to solvents, oils, greases and other chemical agents.

#### Axle set

Calibrated zinc-plated steel precision tube. The tube serves as a spacer, is tightened to the bracket with screw and nut to a un predetermined torque value.

The wheel hub rotates onto the tube freely.

#### Standard executions (hub with boss)

- PBL-N: brakeless wheel with zinc-plated steel fixed plate bracket.
- SBL-N: brakeless wheel with zinc-plated steel turning plate bracket.
- SBF-N: wheel with zinc-plated steel turning plate bracket, with brake.
- FBL-N: brakeless wheel with zinc-plated steel turning plate bracket and centre pass-through hole.
- FBF-N: wheel with zinc-plated steel turning plate bracket and centre pass-through hole, with brake.

#### Fixed plate bracket

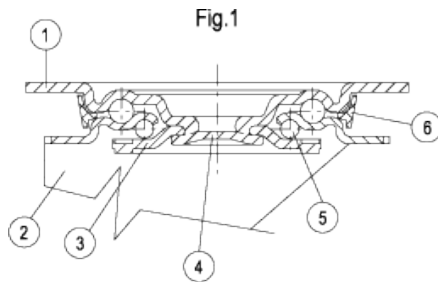
Zinc-plated steel sheet, the bracket is designed to withstand loads up to 3000N.

#### Turning plate bracket

Zinc-plated steel sheet, the bracket is designed to withstand loads up to 3000N. The presence of two ball turns and the direct contact between the plate and the ball race ring with built-in pin ensure excellent manoeuvrability and very limited clearance (see fig. 1). Does not require maintenance.

It consists of:

- 1) fitting plate: electrolytically zinc-plated steel sheet;
- 2) fork: electrolytically zinc-plated steel sheet;
- 3) ball race ring: electrolytically zinc-plated steel sheet;
- 4) central pin: incorporated in the plate, cold reflanged;
- 5) rotation system: dual grease-lubricated ring of balls;
- 6) dust seal: RAL 7015 dark grey technopolymer.



#### Front-actuated brake

Total brake that locks the wheel and bracket rotation. The optimised dimensions and the retractable pedal ensure minimal space occupied and maximum actuation ease.

Hardened carbon steel spring.

#### Applications

RE.E3-N wheel may be mounted on different kind of trolleys, with medium-light loads; it is also suitable for outdoor use.

Typical applications: trolleys for industrial moving, for outdoor use also, waste dumpsters.

For further information see [RE.E3](#) wheel.



---

STANDARD MACHINE ELEMENTS WORLDWIDE

ELESA models all rights reserved in accordance with the law. Always mention the source when reproducing our drawings.